









LED LIGHTING
PERFORMANCE RANGE


 **Verbatim**[®]
Technology you can trust






Mitsubishi Chemical Holdings Group

	Part Number	Actual Wattage (W)	Equivalent Wattage (W)	Luminous flux (lm)	Luminous efficiency (lm/W)	Beam angle (°)	CCT (K)	Power Factor	Lifetime (hours)	Dimmable	Energy Efficiency Class
Classic A Socket: E27 Voltage: 220-240V CRI*: ≥80											
	52019	8.8	38	440	50	170	2700	≥0.80	25,000	Yes	A
	52220	7.5	41	480	64	220	2700	≥0.75	40,000	Yes	A
	IP65										
	52225	7.7	42	500	65	220	2700	≥0.85	40,000	Yes	A+
	52227	10.5	60	806	77	240		≥0.90	25,000		
	52244	14	71	1000	71	270	2700	≥0.80	30,000	Yes	A


INDOOR & OUTDOOR

	Part Number	Actual Wattage (W)	Equivalent Wattage (W)	Luminous flux (lm)	Luminous efficiency (lm/W)	Beam angle (°)	CCT (K)	Power Factor	Lifetime (hours)	Dimmable	Energy Efficiency Class
Classic A Socket: B22 Voltage: 220-240V CRI*: ≥80											
	52226	7.7	42	500	65	220	2700	≥0.85	40,000	Yes	A+
	52228	10.5	60	806	77	240		≥0.90	25,000		
	52300	14	71	1000	71	270	2700	≥0.80	30,000	Yes	A

	Part Number	Actual Wattage (W)	Equivalent Wattage (W)	Luminous flux (lm)	Luminous efficiency (lm/W)	Beam angle (°)	CCT (K)	Power Factor	Lifetime (hours)	Dimmable	Energy Efficiency Class
Candle Classic B Socket: E14 Voltage: 220-240V CRI*: ≥80											
	52047	3.7	16	150	41	-	2700	≥0.85	15,000	Yes	A

	Part Number	Actual Wattage (W)	Equivalent Wattage (W)	Functional Lumen 90° Cone**(lm)	Lumen 120° Cone (lm)	Luminous efficiency (lm/W)	Luminous intensity (cd)	Beam angle (°)	CCT (K)	Power Factor	Lifetime (hours)	Dimmable	Energy Efficiency Class
PAR16 Socket: GU10 Voltage: 220-240V CRI*: ≥80 and ≥95													
	52045	6.5	35	230	240	35	580	35	2700	≥0.90	35,000	Yes	A
	52213	6.5	36	240	250	37	600	35	3000				
	52046	6.5	44	300	320	46	760	35	4000				
	52215	7	44	300	340	43	420	55	2700				
	52216	7	45	310	350	44	430	55	3000				
	52217	7	52	360	400	51	480	55	4000				
	52040	6	33	TBC	220	37	570	30	2700	≥0.75	25,000	Yes	A
	52041	8.5	38	250	310	29	720	30	2700	≥0.85	25,000	Yes	A
	52233	9	66	465	500	52	2000	25	3000	≥0.70	25,000	Yes	A
	52234	7.3	60	390	420	53	720	36	2700	≥0.90	35,000	Yes	A
	52235		64	420	450	58	800		3000				
	53336		66	440	470	60	830		4000				

HIGH CRI >95

	Part Number	Actual Wattage (W)	Equivalent Wattage (W)	Luminous flux (lm)	Luminous efficiency (lm/W)	Beam angle (°)	CCT (K)	Power Factor	Lifetime (hours)	Dimmable	Energy Efficiency Class		
MR16 Socket: GU5.3 Voltage: 12V AC/DC CRI*: ≥80													
	52043	6.5	26	260	270	40	550	35	2700	≥0.70	35,000	Yes	A


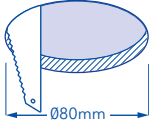
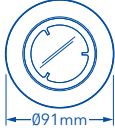
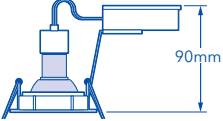

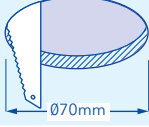

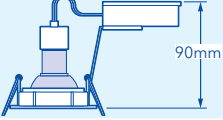
	Part Number	Actual Wattage (W)	Equivalent Wattage (W)	Functional Lumen 90° Cone**(lm)	Lumen 120° Cone (lm)	Luminous efficiency (lm/W)	Luminous intensity (cd)	Beam angle (°)	CCT (K)	Power Factor	Lifetime (hours)	Dimmable	Energy Efficiency Class
	52044	6.5	30	300	320	46	760	35	4000	≥0.70	35,000	Yes	A
	52209	7	34	330	380	47	420	55	2700	≥0.75	25,000		
	52210	7	36	360	390	51	440	55	3000	≥0.75	25,000		
	52211	7	37	390	420	56	460	55	4000	≥0.75	25,000		
	52212	6.5	27	270	280	42	600	35	3000	≥0.70	35,000		
	52229	7	40	440	460	63	2400	25	2700	≥0.70	25,000	Yes	A
	52230	7	42	475	500	68	2500						A+
	52240	7	37	375	400	54	680	40	2700	≥0.90	30,000	Yes	A
	52241		37	385	410	55	700		3000				
	52242		41	450	480	64	800		4000				
AR111		Socket: GU53			Voltage: 12V AC/DC			CRI*: ≥80					
	52048	14.5	69	670	750	46	3500	25	2700	≥0.80	25,000	No	A
	52201		79	760	850	52	3900		4000				
	52202		72	715	800	49	3700		3000				
	52203	15	71	690	750	46	1600	35	3000	≥0.95	25,000	No	A
	52204		85	800	880	53	1950		4000				
	52205		68	660	720	44	1500		2700				
PAR20		Socket: E27			Voltage: 220-240V			CRI*: ≥80					
	52232	8	49	340	380	43	900	35	3000	≥0.86	35,000	Yes	A
PAR30		Socket: E27			Voltage: 220-240V			CRI*: ≥80					
	52042	14.5	71	600	680	41	1300	30	4000	≥0.80	25,000	Yes	A
PAR38		Socket: E27			Voltage: 220-240V			CRI*: ≥80					
	52033	19	119	1030	1250	54	1200	45	4500	≥0.90	25,000	No	A
	IP54												
	52034	20	128	1100	1200	55	6500	22	3000	≥0.90	35,000	Yes	A
For exact colour, high quality LED Lighting VXRGB													
MR16		Socket: GU5.3			Voltage: 12V AC/DC			CRI*: ≥80					
	52224	6.5	14	155	180	28	300	36	2900	≥0.60	25,000	Yes	A
Candle Classic B		Socket: E14			Voltage: 220-240V			CRI*: ≥80					
	52243	2.5	-	50	20	100	1900	≥0.40	25,000	No			B

HIGH CRI >95


INDOOR & OUTDOOR

IP54

Downlight Fittings - Perfect fit for all Verbatim LED PAR16 GU10 lamps.

	Part Number	Product Description	Mounting Diameter	Outer ring diameter	Downlight Depth
	52400 52401	LED Downlight IP23 Twist lock white Twist lock brushed aluminium			
	52402 52403	LED Downlight IP44 Twist lock white Twist lock brushed aluminium			

LED Transformer - Electronic transformer for 12V LED lamp

	Part Number	Primary voltage range (V)	Frequency (Hz)	Input current (A)	Secondary voltage (V)	Lamp wattage (W)	Efficiency (%)	Power factor	Input capacitance (nF)	Dimming	Dimensions LxWxH (mm)	Weight (g)
	52900	220-240	50/60	0.29	11.5V AC	0-70	>95	>0.99	100	Leading and trailing edge dimmers	113x44x28	80

* CRI Colour Rendering Index

** EU Regulation 1194, 2012 Eco Design Requirements state that only luminous flux within a 90° cone is used for the calculation of directional lamps lumen output. Light within the 90° cone is called functional or useful light, any light outside this cone is not considered useful in directional lighting.

