



Features:

- Input voltage: 100-264V
- Protection: Shortcircuit/overload/overvoltage/overheat
- Working temperature with 60°C
- Cooling by free air convection
- 100% full load burn-in test
- 3 years warranty

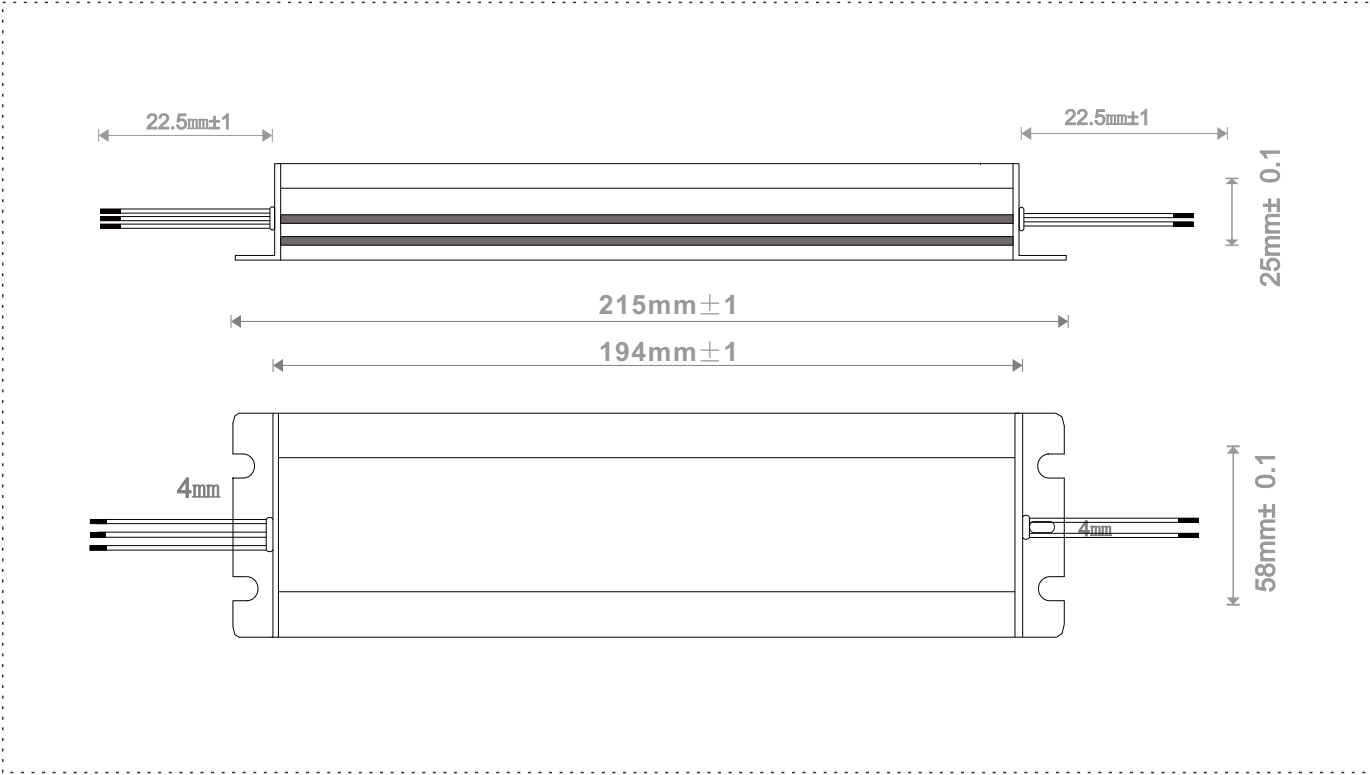
CE RoHS BIS SELV IP67

Specification:

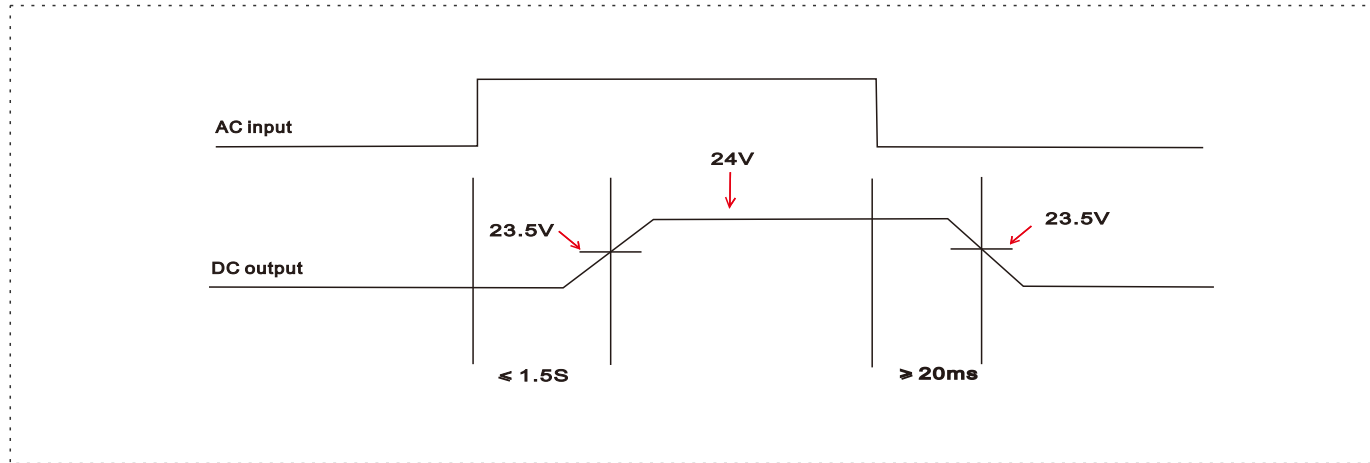
| Model | | HRUW-100-12 | HRUW-100-24 |
|--------|----------------------|------------------------------|------------------------------|
| Output | Voltage DC | 12V | 24V |
| | Voltage Tolerance | ±0.5V | ±0.5V |
| | Current Range | 0 - 8.3A | 0 - 4.17A |
| | Rated Current | 8.3A | 4.17A |
| | Rated Power | 100W | 100W |
| | Ripple & Noise(Max.) | 150mVp-p | 150mVp-p |
| | Line Regulation | ±0.5% at full load | ±0.5% at full load |
| | Load Regulation | ±0.5% at full load | ±0.5% at full load |
| | Setup, Rise Time | 500ms,80ms/230V at full load | 500ms,80ms/230V at full load |
| | Hold-up Time | 50ms /230VAC at full load | 50ms /230VAC at full load |

| | | | |
|--------------|--|---|-----|
| Input | Voltage Range | 100-264V | |
| | Frequency Range | 50 - 60Hz | |
| | Leakage Current | < 0.5mA/260VAC | |
| | Inrush Current | ≤ 40A | |
| | Power Factor | pf ≈ 0.55 /230VAC at full load | |
| | AC Current(Max.) | 0.61A/230VAC 1.22A/115VAC | |
| | Efficiency(typ.) | 85% | 88% |
| Protection | Short Circuit | Protection type:Hiccup mode,recovers automatically after fault condition is removed | |
| | Over Load | Hiccup mode, recovers automatically after fault condition is removed | |
| | Burnt-in Test | Input voltage:220V 50Hz rated output current 25°C Bum-in 2h | |
| Environment | Vibration | 10-500Hz,5G 12min./1 cycle, period for 60min. each along x,y,z axes | |
| | Over Temperature | 100°C±10 °C shut down o/p voltage,re-power on to recover | |
| | Start Rise Hold Time | 1500ms,20ms,50ms/230VAC at full load | |
| | Working Humidity | 20~60%RH,non-condensing | |
| | Storage TEM, Humidity | -20 ~ +85%,10 ~ 95%RH | |
| | Working TEMP. | -20 ~ +50°C | |
| Safety & EMC | Safety Standards | CE Mark | |
| | Withstand Voltage | I/P-O/P:1.5KVAC I/P-GND:1.5KVAC | |
| | EMC Immunity | EN55015:2013;EN61547:2009; EN61000-3-2:2014; EN61000-3-3:2013 | |
| Others | Weight | 500g | |
| | Package | 25pcs/CTN | |
| | Dimension | 215x58x25mm(LxWxH) | |
| Notes | <ol style="list-style-type: none"> All parameters not specially mentioned are measured at 230VAC input , rated load and 25°C of ambient temperature. Tolerance: includes set up tolerance, line regulation and load regulation. Ripple & noise are measured at 20MHz of bandwidth by using a 12" twisted pair-wire terminated with a 0.1uf & 47uf parallel capacitor. The power supply is considered as a component that will be operated in combination with final equipment. Since EMC performance will be affected by the complete installation, the final equipment manufactures must be-qualify EMC directive on the complete installation again. Length of set up time is measured at cold first start. Turning on/off the power supply very quickly may lead to increase of the set up time. | | |

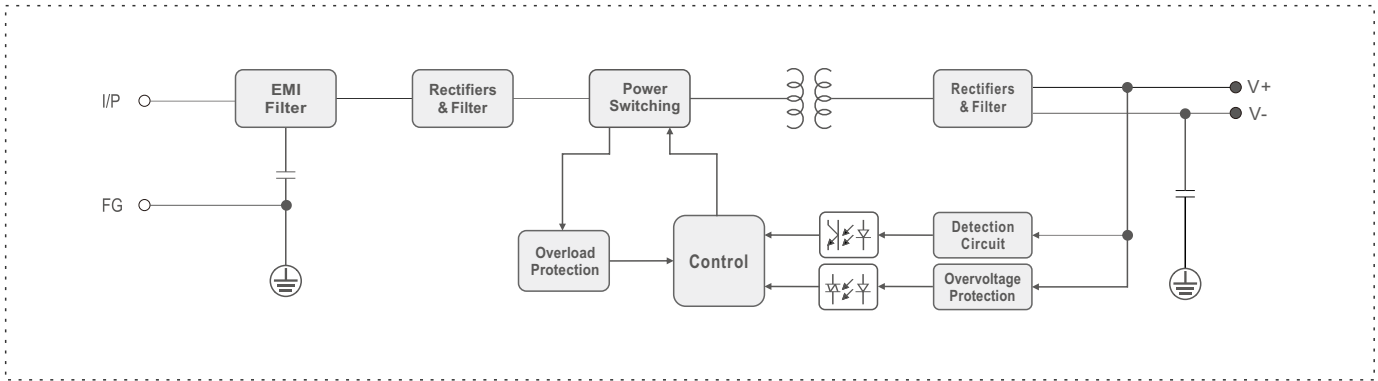
Mechanical Specification:



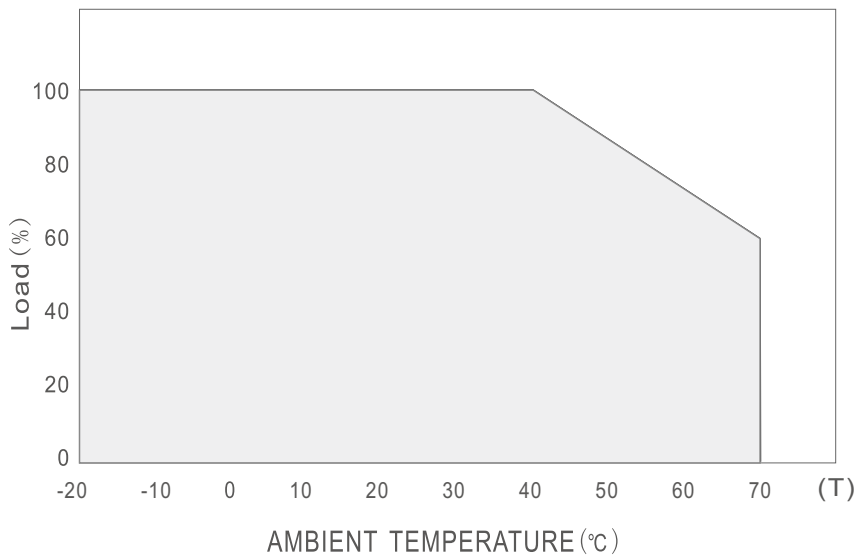
Switching Time Curve:



Block Diagram:



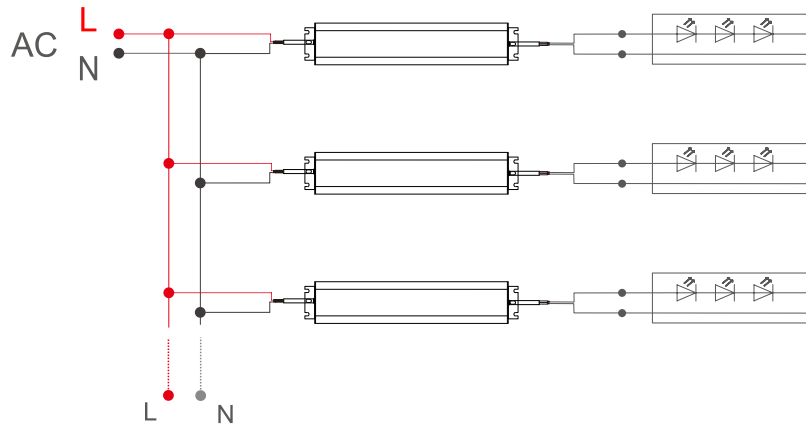
Derating Curve:



Package details:

| | |
|---------------|--------------------|
| Weight: | 500g/PCS,13kg/CTN |
| Quantity: | 25PCS/Carton |
| Carton Size: | 42x24x18CM |
| Product Size: | 215x58x25mm(LxWxH) |

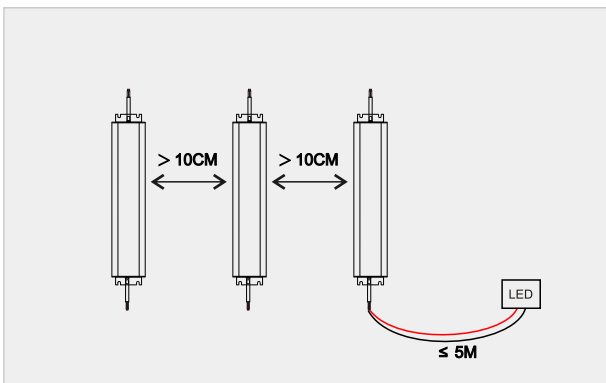
Wiring Diagram:



Installation Notes:

- ✘1. The distance between two products should be $< 10\text{cm}$, so as not to affect heat dissipation and the lifespan of the products.
- ✘2. The distance between products and the LED input terminal should be < 5 meters.

At least 10 cm spacing:



Not to be installed closely:

