



Features :

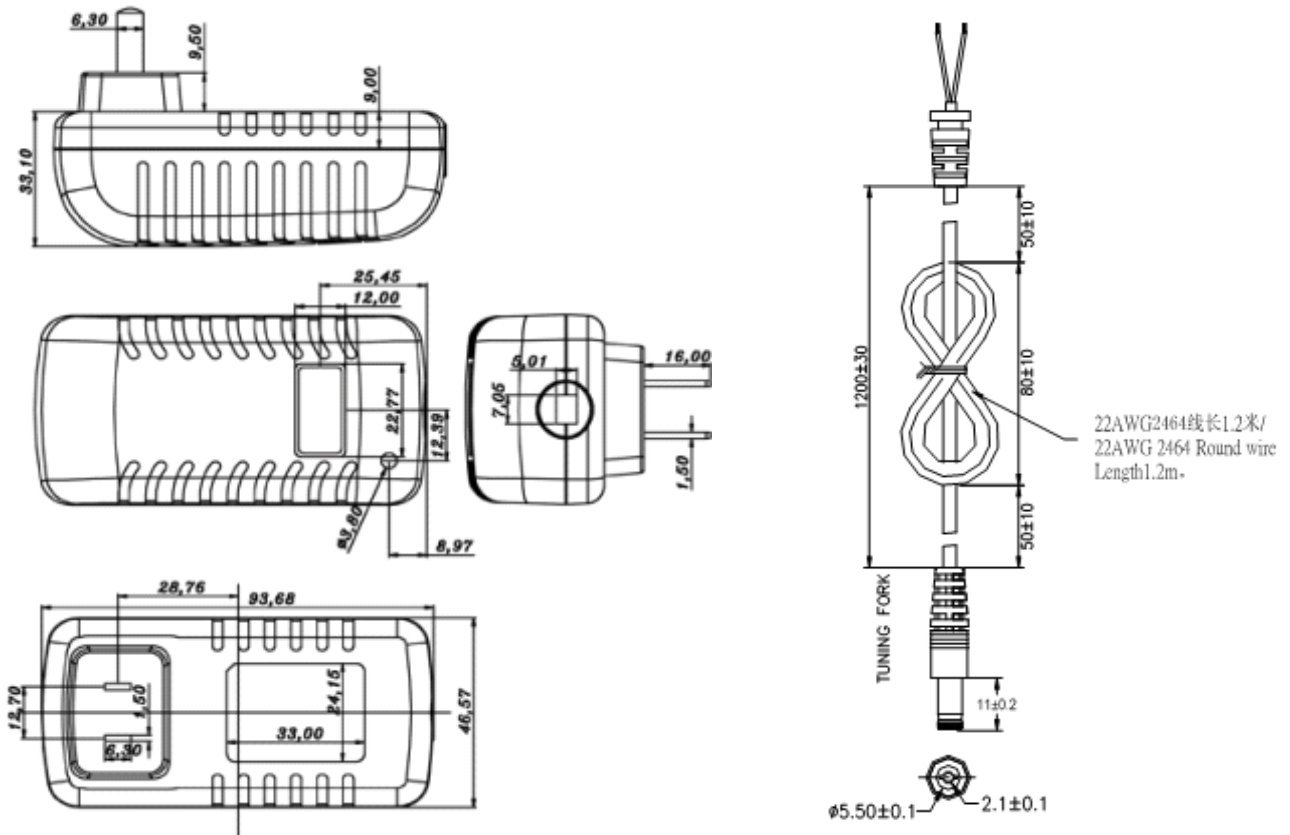
- 100-240VAC input
- SMPS Adaptor(Wall mount)
- Working temperature with 60°C
- Cooling by free air convection
- 100% full load burn-in test
- 2 years warranty

Specification



	Model	12V-36W
Output	DC Voltage	12V
	Voltage Tolerance	±0.2V
	Rated Current	0 – 3A
	Rated Power	36W
	Ripple & Noise	120mVp-p
Input	Voltage Range	100-240VAC
	Frequency Range	50 – 60HZ
	Overshoot at turn-on/ turn-off	≤ 110 %
	Full Load Efficiency(Typ.)	80%
	AC Current (Max.)	0.61A
	Input Current Limiting	<1.2A(under minimum AC input and full loads)
	Inrush current	≤ 50A
Protection	Short Circuit	Protection type: Hiccup mode, recovers automatically after fault condition is removed.
	Over Load	Hiccup mode, recovers automatically after fault condition is removed
	VIBRATION	10-500Hz 2G10min
	BURNT-IN TEST	Input voltage: 220V 50Hz rated output current 25°C Bum-in 2h
Environment	Over temperature	100°C±10°C shut down o/p voltage, re-poweron to recover
	Working TEMP.	0 ~ + 40°C
	Working Humidity	20~85%RH,non-condensing
	Storage TEM.,Humidity	-20~+ 75°C ,10~90%RH
	START RISE HOLD TIME	≤ 3s/230VAC at full load
Safety & EMC	Insulation Resistance	Primary to Secondary: 10 Meg. Ohms min. 500VDC,Primary to P.G: 10 Meg. Ohms min. 500VDC
	Safety standards	CE Mark
	Withstand voltage	I/P-O/P:1.5KVAC
	EMC Immunity	IEC60950、 En55022
Others	Weight	145g
	Dimension	93.5*43.5*33(mm) (L×W×H)
	Packing	100pcs/CTN
Notes	<ol style="list-style-type: none"> 1. All parameters NOT specially mentioned are measured at 230VAC input , rated load and 25°C of ambient temperature. 2. Tolerance: includes set up tolerance, line regulation and load regulation . 3. The power supply is considered as a component that will be operated in combination with final Equipment. Since EMC performance will be affected by the complete installation, the final equipment manufactures must be-qualifyEMC Directive on the complete installation again. 	

Mechanical Specification



Label

AC/DC ADAPTER
 MODEL:XSX-123000
 INPUT:100-240V~50/60Hz
 OUTPUT:12V3000MA
CE RoHS FC

 MADE IN CHINA

Package

DIMENSION	93.5*43.5*33(mm) (L×W×H)
CARTON QUANTITY	100 pcs/CTN
CARTON SIZE	48.5*35.5*25 (mm)
WEIGHT	145g /PCS