

**Features :**

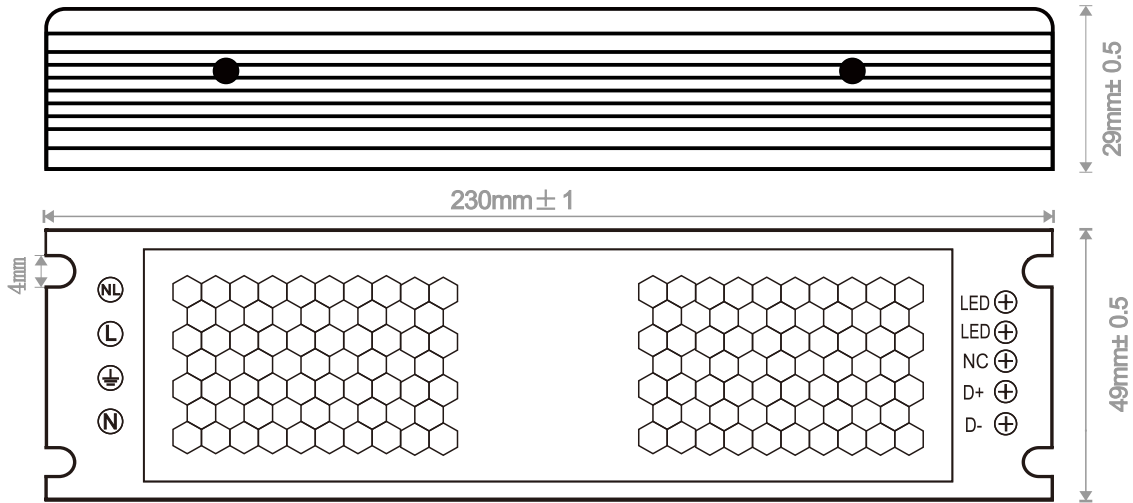
- 100-264VAC
- Protection:Shortcircuit/overload/overvoltage
- Working temperature with 60°C
- Cooling by free air convection
- 100% full load burn-in test
- 3years warranty
- Support: DALI

Specification

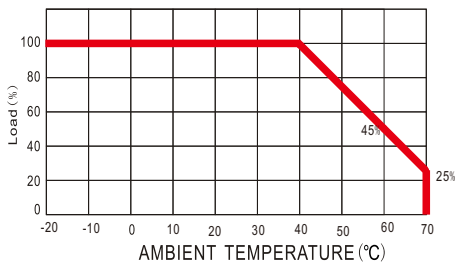
CE RoHS BIS SELV IP20

	Model	HRS-100-12	HRS-100-24
Output	DC Voltage	12V	24V
	Voltage Tolerance	±0.5V	
	Rated Current	0 – 8.3 A	0–4.2A
	Rated Power	100W	100W
	Ripple & Noise	250mVp-p	250mVp-p
Input	Voltage Range	100-264VAC	
	Frequency Range	50 – 60HZ	
	Power Factor	PF≥0.5/230VAC (Full loading)	
	Full Load Efficiency(Typ.)	85%	
	AC Current (Max.)	1.75A/110VAC, 0.88A/220VAC	
	Leakage Current	<0.5mA/260VAC	
	Inrush Current	≤ 60A	
Protection	Short Circuit	Protection type: Hiccup mode, recovers automatically after fault condition is removed.	
	Over Load	Hiccup mode, recovers automatically after fault condition is removed	
	VIBRATION	10-500Hz 2G10min	
	BURNT-IN TEST	Input voltage: 220V 50Hz rated output current 25°C Bum-in 2h	
Environment	Over Temperature	100°C±10°C shut down o/p voltage, re-poweron to recover	
	Working TEMP.	-20 ~ + 50 °C	
	Working Humidity	20~60%RH,non-condensing	
	Storage TEM.,Humidity	-20~+ 85%, 10~95%RH	
	START RISE HOLD TIME	1500ms, 20ms, 50ms/230VAC at full load	
Safety & EMC	Vibration	10 – 500Hz, 5G 12min./1 cycle, period for 60min.each along X,Y,Z axes.	
	Safety Standards	CE Mark	
	Withstand Voltage	I/P–O/P:1.5KVAC I/P–GND:1.5KVAC	
	EMC Immunity	EN55015:2013;EN61547:2009; EN61000-3-2:2014; EN61000-3-3:2013	
Others	Weight	0.36Kg	
	Dimension	230x49x29mm(LxWxH)	
	Packing	55pcs/CTN	
Notes	<ol style="list-style-type: none"> 1. All parameters NOT specially mentioned are measured at 230VAC input , rated load and 25°C of ambient temperature. 2. Tolerance: includes set up tolerance, line regulation and load regulation . 3. The power supply is considered as a component that will be operated in combination with final Equipment. Since EMC performance will be affected by the complete installation, the final equipment manufactures must be-qualifyEMC Directive on the complete installation again. 		

Mechanical Specification



Derating Curve



Package

DIMENSION	230x49x29(mm) (LxWxH)
CARTON QUANTITY	55PCS/Carton
CARTON SIZE	38x25.2x29.5(mm)
WEIGHT	290g/PCS

Dali wiring Diagram

