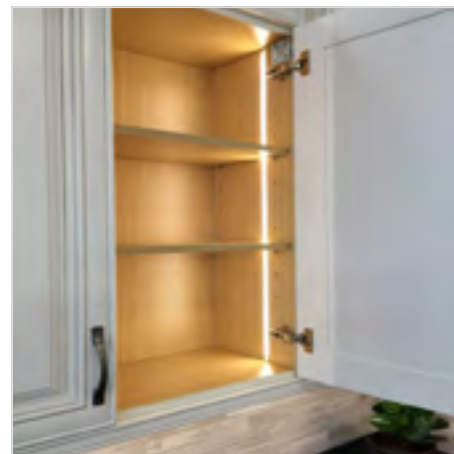
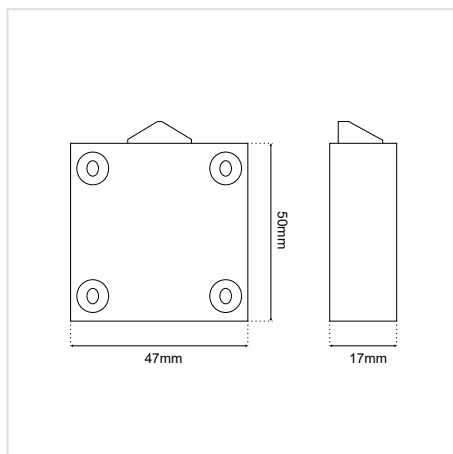


## CUPBOARD DOOR SWITCH

SKU:  White: L5010803-003,  Black: L5010803-004



### GENERAL INFORMATION

|                            |                 |
|----------------------------|-----------------|
| APPLICATION                | Indoor          |
| MATERIAL                   | Plastic         |
| VISIBLE DIMENSIONS (W×H×L) | 47 × 50 × 17 mm |
| COLOR                      | White / Black   |
| I (AMP)                    | 2A              |
| VOLTAGE                    | 12V - 250V      |