

**Features :**

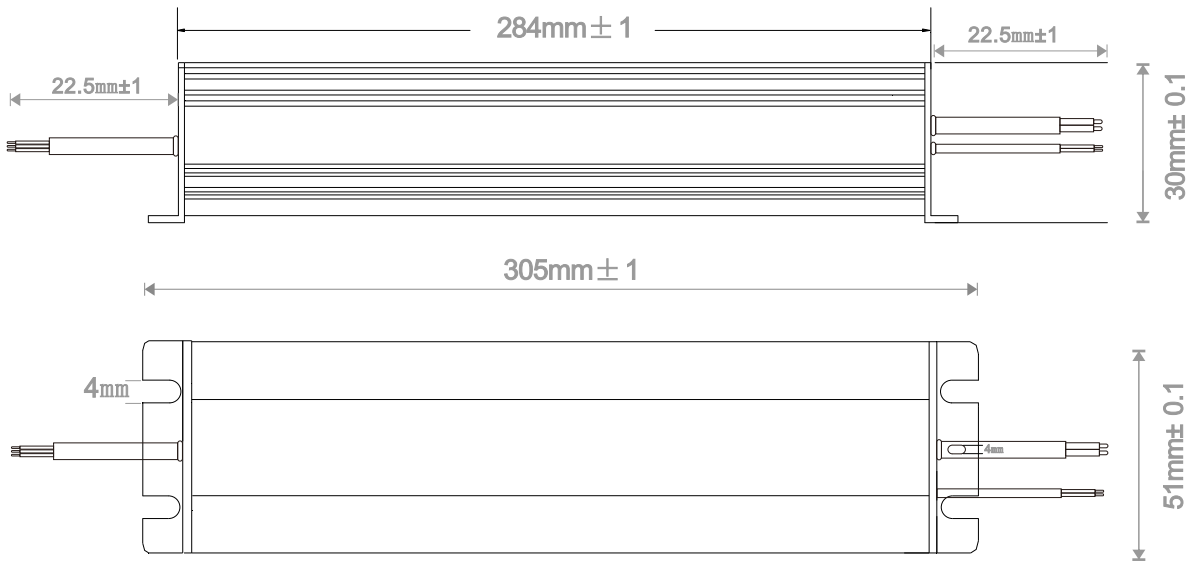
- 170-264VAC
- Protection: Short circuit/overload/overvoltage
- Working temperature with 60°C
- Cooling by free air convection
- 100% full load burn-in test
- 3years warranty
- Support: TRIAC , Leading edge , Forward phase , Trailing edge, Reverse phase ,0/1-10V dimmable

Specification

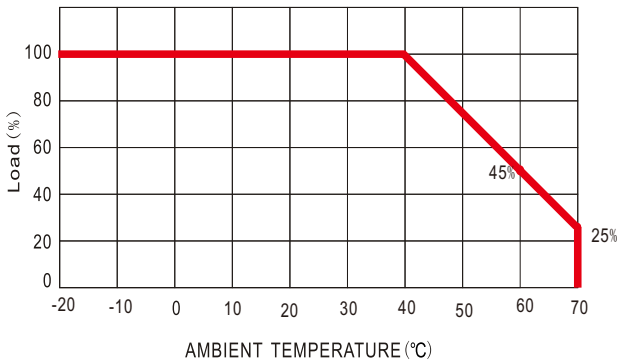
CE RoHS BIS SELV IP67

| | Model | HRSW-200-12 | HRSW-200-24 |
|-------------------------|---|--|-------------|
| Output | DC Voltage | 12V | 24V |
| | Voltage Tolerance | ±0.5V | |
| | Rated Current | 0 - 16.6A | 0 - 8.3A |
| | Rated Power | 200W | 200W |
| | Ripple & Noise | 200mVp-p | 200mVp-p |
| Input | Voltage Range | 170-264VAC | |
| | Frequency Range | 50 - 60HZ | |
| | Power Factor | PF≥0.5/230VAC (Full loading) | |
| | Full Load Efficiency(Typ.) | 86% | 86% |
| | AC Current (Max.) | 1.6A | 1.6A |
| | Leakage Current | <0.5mA/260VAC | |
| | Inrush Current | ≤ 60A | |
| Protection | Short Circuit | Protection type: Hiccup mode, recovers automatically after fault condition is removed. | |
| | Over Load | Hiccup mode, recovers automatically after fault condition is removed | |
| | VIBRATION | 10-500Hz 2G10min | |
| | BURNT-IN TEST | Input voltage: 220V 50Hz rated output current 25°C Bum-in 2h | |
| Environment | Over Temperature | 100°C±10°C shut down o/p voltage, re-power on to recover | |
| | Working TEMP. | -20 ~ + 50 °C | |
| | Working Humidity | 20~60%RH, non-condensing | |
| | Storage TEM., Humidity | -20~+ 85%, 10~95%RH | |
| | START RISE HOLD TIME | 500ms, 20ms, 50ms/230VAC at full load | |
| Safety & EMC | Vibration | 10 -500Hz, 5G 12min./1 cycle, period for 60min. each along X,Y,Z axes. | |
| | Safety Standards | CE Mark | |
| | Withstand Voltage | I/P-O/P:1.5KVAC I/P-GND:1.5KVAC | |
| | EMC Immunity | EN55015:2013;EN61547:2009; EN61000-3-2:2014; EN61000-3-3:2013 | |
| Others | Weight | 0.86kg | |
| | Dimension | 305x51x30mm (LxWxH) | |
| | Packing | 25pcs/CTN | |
| Notes | <ol style="list-style-type: none"> 1. All parameters NOT specially mentioned are measured at 230VAC input , rated load and 25°C of ambient temperature. 2. Tolerance: includes set up tolerance, line regulation and load regulation . 3. The power supply is considered as a component that will be operated in combination with final Equipment. Since EMC performance will be affected by the complete installation, the final equipment manufactures must be-qualify EMC Directive on the complete installation again. | | |

Mechanical Specification



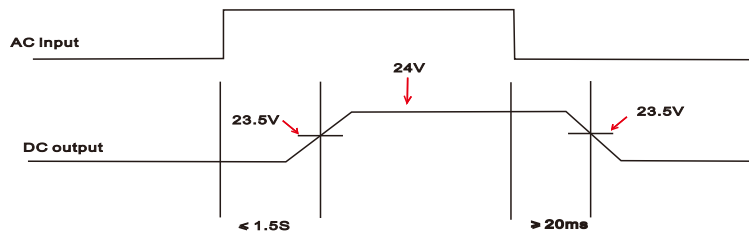
Derating Curve



Package

| | |
|-----------------|------------------------|
| DIMENSION | 305x51x30 (mm) (L×W×H) |
| CARTON QUANTITY | 25PCS/Carton |
| CARTON SIZE | 370x300x29.5 (mm) |
| WEIGHT | 860g/PCS |

Switching Time Curve:



Dimming Operation

