

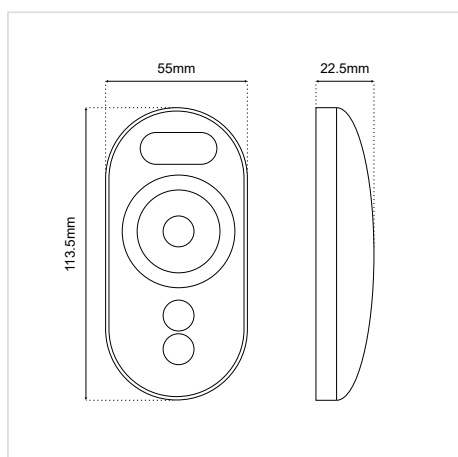
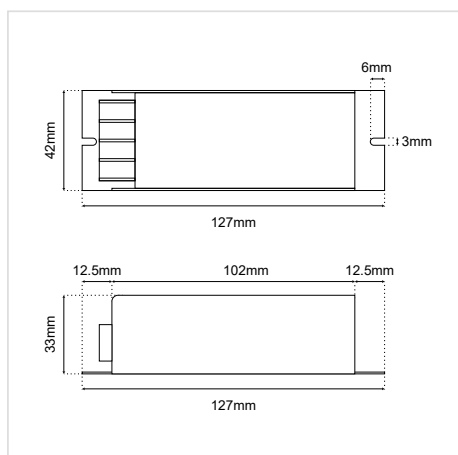
POWER DIMMER RF WITH TOUCH REMOTE

SKU: 28011003-012



SPECIFICATIONS

WORKING TEMPERATURE	-20-60°C
SUPPLY VOLTAGE	DC12V~24V
PRODUCT DIMENSIONS	L127×W41×H32 mm
PACKAGE DIMENSIONS	L147×W84×H74 mm
IP RATING:	IP20
NET WEIGHT	245g
GROSS WEIGHT	290g
DIMMING FUNCTION:	2.4GHz RF remote control
COMPATIBILITY:	Constant Voltage Lights and Single Color LED Strips
CHANNELS:	1
OUTPUT	1 CMOS drain-open output
MAX. OUTPUT CURRENT	25A
MAX. OUTPUT POWER	12V: 300W / 24V: 600W
SHORT CIRCUIT PROTECTION:	Yes
ORIGIN:	PRC



TO BE USED WITH



POWER DIMMER RF WITH TOUCH REMOTE

CONTROL METHOD



The function of each button as below:

Name of key	Instruction	Remarks
ON	ON in any time	
OFF	OFF in any time	
Mode	The mode will move to next, when touch the key each time	3 modes in total.
Speed/Brightness +	The Speed/Brightness will +1, when touch the key each time	Speed for dynamic modes, Brightness for static modes.
Speed/Brightness -	The Speed/Brightness will -1, when touch the key each time	Speed for dynamic modes, Brightness for static modes.
Dimming Ring	Touch any brightness value which you want	

3 modes in total as below:

NO	Patterns	Remarks
1	Static 100% light	Brightness is adjustable, speed is unadjustable
2	flash	Speed is adjustable, brightness is unadjustable
3	fade	

POWER DIMMER RF WITH TOUCH REMOTE

Matching Code Operation

The receiver can be controlled by any remote with the same factory-default RF code.

If unique control or a newly coded remote is required, pair the remote and receiver according to the following instructions before use:

1. Press and hold the "MODE" button, then power on the controller.
The connected LEDs will light up in white at 50% brightness to confirm activation.
2. Press the "ON" button 3 times within 5 seconds.
The LED brightness will change between 25% and 10%, flashing 3 times before returning to the initial state.
3. Once pairing is completed successfully, the receiver can only be controlled by the paired remote.
4. If pairing fails, repeat steps 1–2.

Clear Code Operation

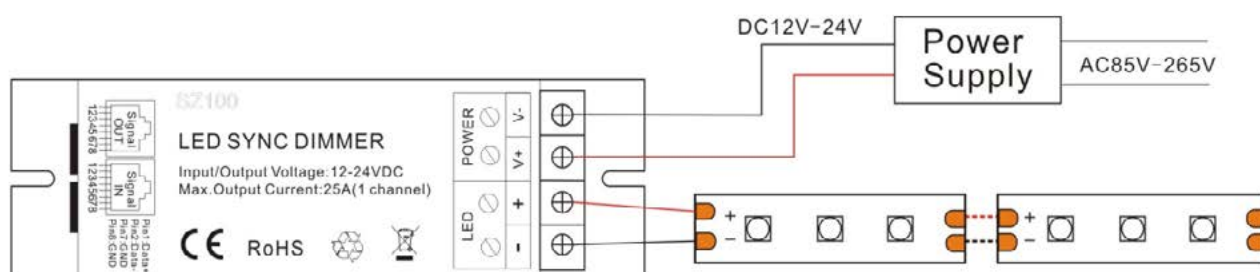
Restore the receiver to factory default mode so it can be controlled by any compatible remote.

1. Press and hold the "MODE" button, then power on the controller.
The connected LEDs will light up in white at 50% brightness to confirm activation.
2. Press the "Speed/Brightness -" button 3 times within 5 seconds.
The LED brightness will change between 25% and 10%, flashing 3 times before returning to the initial state.
3. Once the code is cleared successfully, the LEDs will return to their status before power-off, and the receiver can again be controlled by any compatible remote.
(Any compatible remote can be used to clear the code.)
4. If the operation fails, repeat steps 1–2.

WARNING

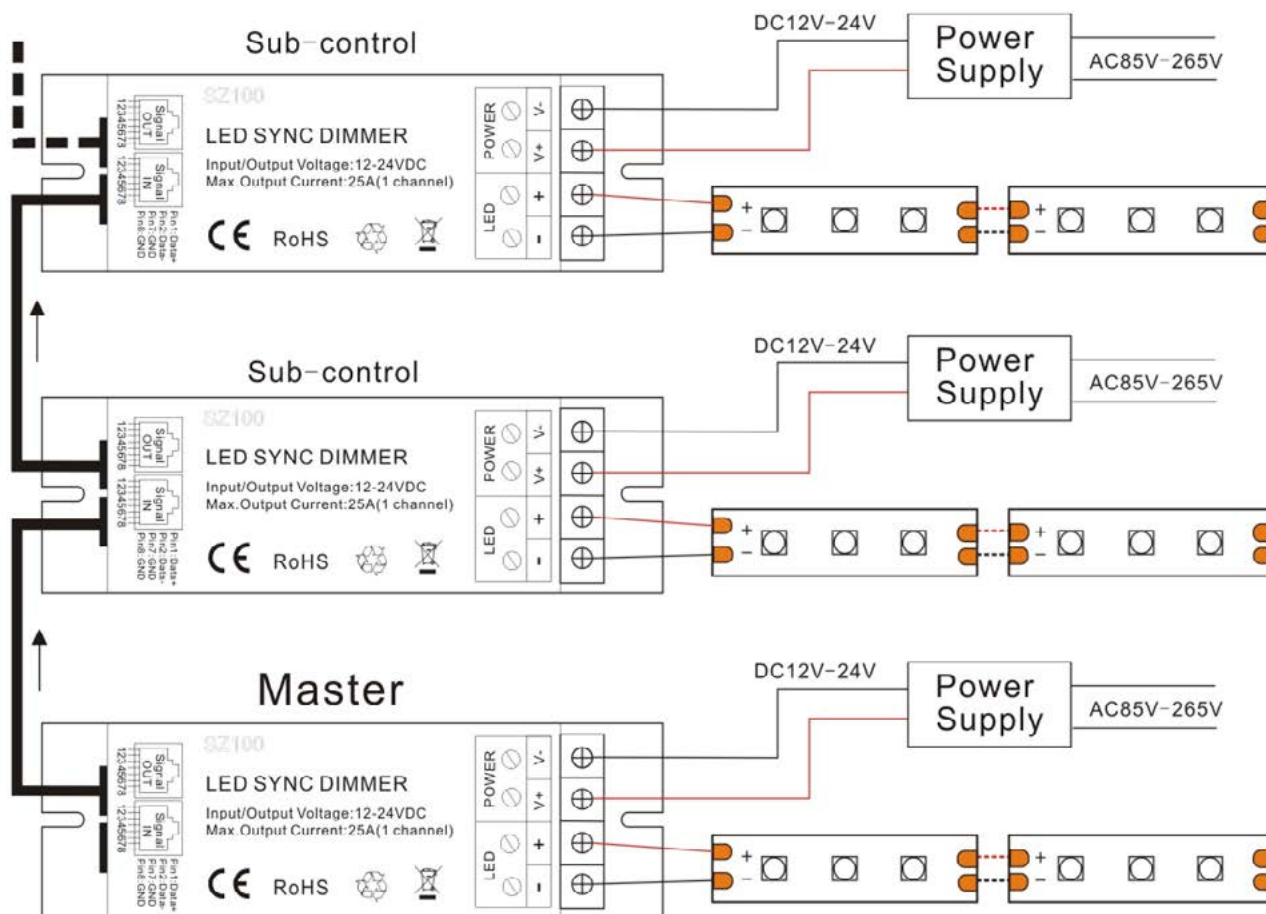
1. The supply voltage of this product is DC12–24V. Never connect it to any other voltage.
2. Before powering on, ensure all wiring connections are correct according to the connection diagram. Incorrect wiring may damage the device.
3. This product is covered by a two-year warranty, excluding damage caused by improper use, overload, or artificial damage.

CONNECTION DIAGRAMS

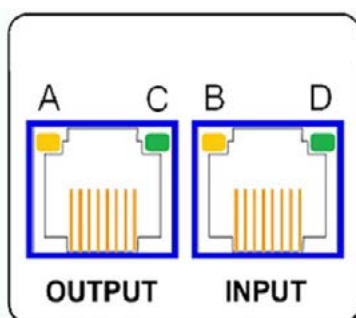


POWER DIMMER RF WITH TOUCH REMOTE

2. Application synchronization (RJ45 connector for sync-work function)



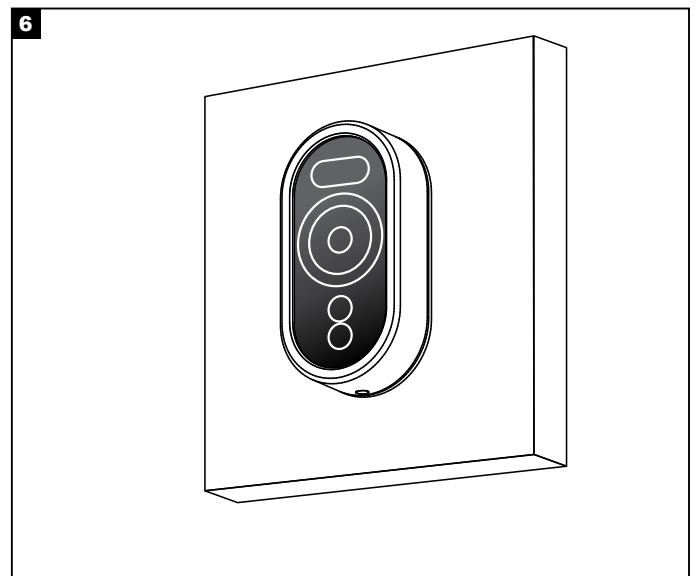
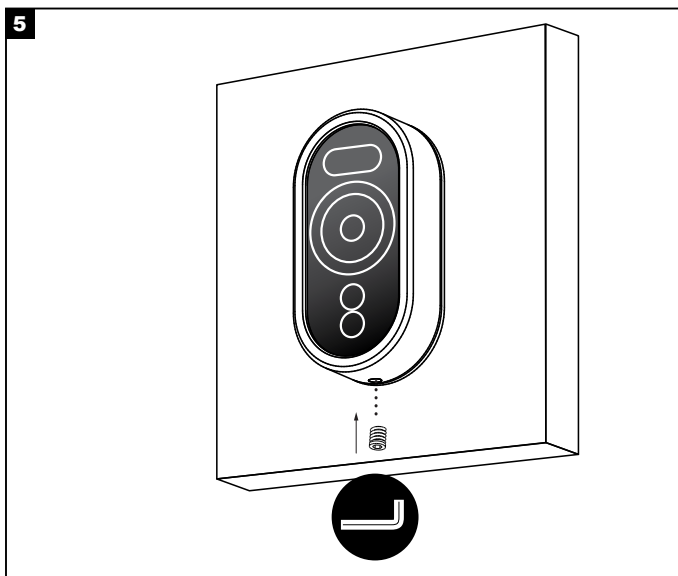
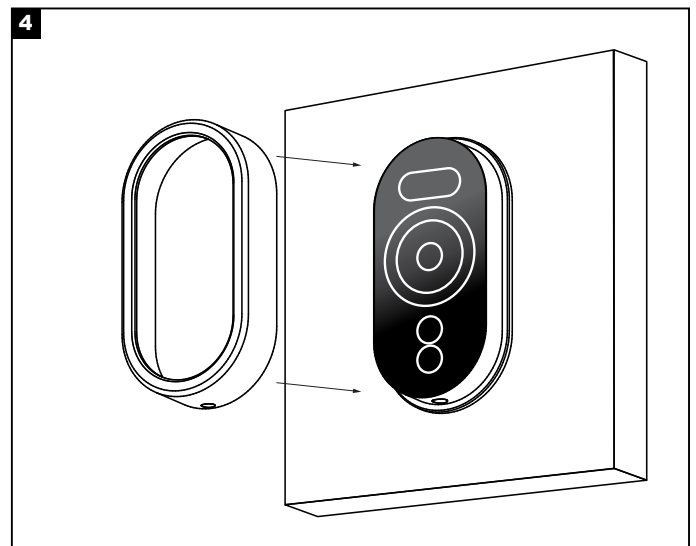
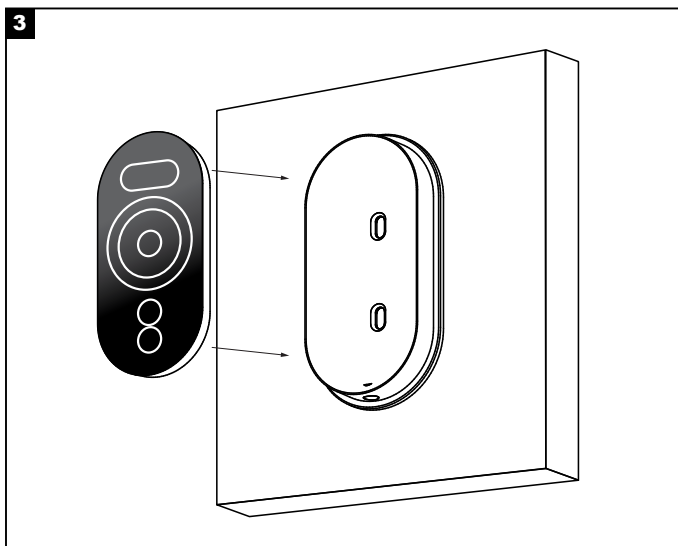
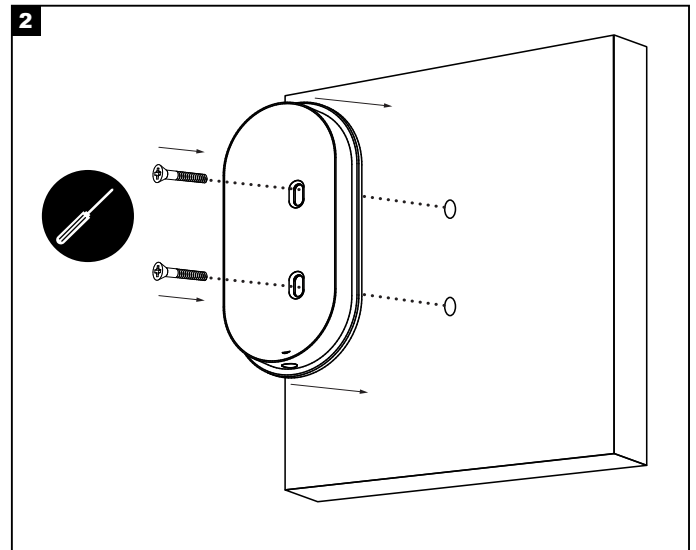
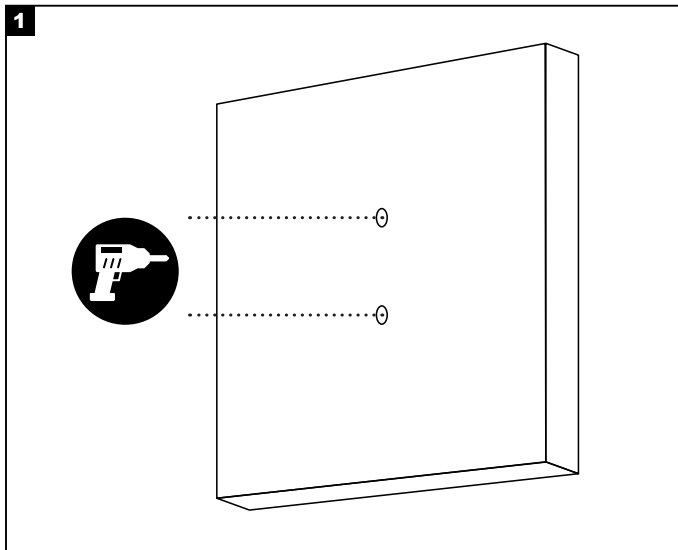
3. RJ45 synchronization interface



Indicator	Mark	Light on	Light flash	Light off
Yellow (A)	MCU/RF	MCU/software is clear	Receive the RF signal from remote	MCU/software error
Yellow (B)	Power	Clear	\	Power input error
Green (C)	SYNC-signal out	Clear	Signal error: 1)Insert he crystal tightly; or 2) the cable with problem need to replace.	
Green (D)	SYNC-signal in	Clear	Signal error: 1)Insert he crystal tightly; or 2) the cable with problem need to replace.	

POWER DIMMER RF WITH TOUCH REMOTE

CASE FOR DIMMER PC INSTALLATION



Η εγκατάσταση του προϊόντος πρέπει να γίνεται από αδειούχο ηλεκτρολόγο εγκαταστάτη. The product must be installed by a licensed electrical installer.