

Feature

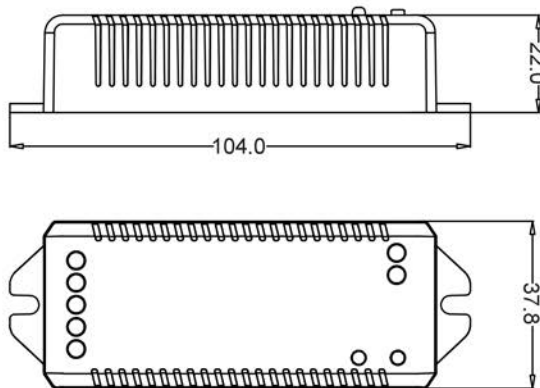
- 4 constant voltage output, each channel can drive 5A max.
- Using 2.4G RF remote control, Long distance transmission.
- Pre-loaded with 10 modes (scenes).
- Compatible with Led strip light or constant voltage panel light, etc.
- Can be used with a variety of control devices, such as RC5, RC7, RC6,RC10,RC11etc.



Technical Parameter

Channels	4 channels
Input Voltage	12-24V DC
Output Voltage	12-24V DC
Output Current	5A/CH Total MAX 16A
Color Modes	10 Modes
Protection	Short-circuit protect,Over current protect, Over temp protect
Pack Size	104(L)×37.8(W)×22(H) mm
N.G.	51g
Working Temp.	-20 ~ 45 °C

Product Size



Interface Instruction



Match Guide

Receiver match with all kinds of single or multiple group 2.4G RF remote controller.
After match different color RF remote, the receiver become the same color controller.

● Use Match key

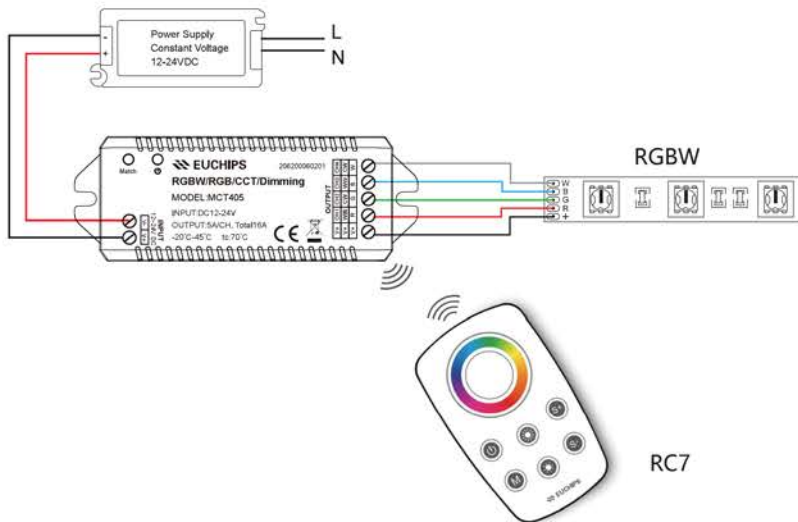
1. Match: Short press match key, within 5s, press on/off key or group on of the remote 3 times, the lights connecting to the led controller will flick for 3 times, then this group is match successfully
2. Delete: Short press match key, within 5s, press on/off key or group on of the remote 6 times, the lights connecting to the led controller will flick for 6 times, then this group is delete successfully
3. Multiple zone remote only use group key to match each group receive

● Use Power-up

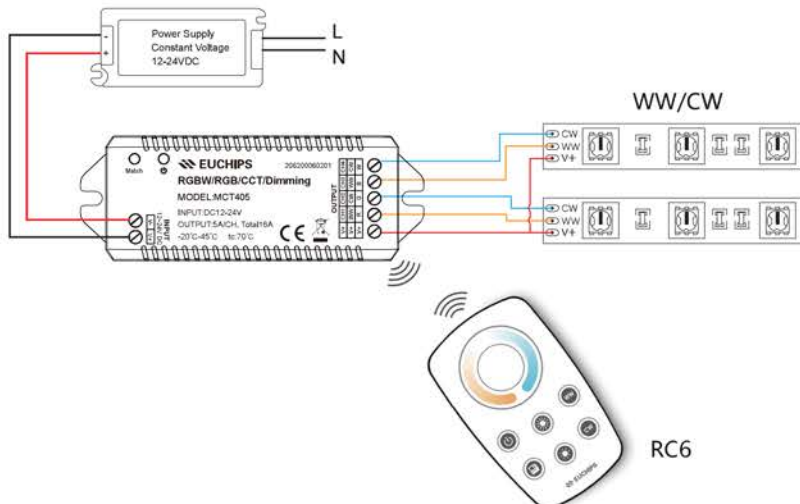
1. Match: Switch off the power, then switch on power again, short press on/off key or group on 3 times on the remote quickly within 5s after power on, the lights connecting to the led controller will flick for 3 times, then this group is match successfully
2. Delete: Switch off the power, then switch on power again, short press on/off key or group on 6 times on the remote quickly within 5s after power on, the lights connecting to the led controller will flick for 6 times, then this group is delete successfully
3. Multiple zone remote only use group key to match each group receiver.

Wiring Instruction

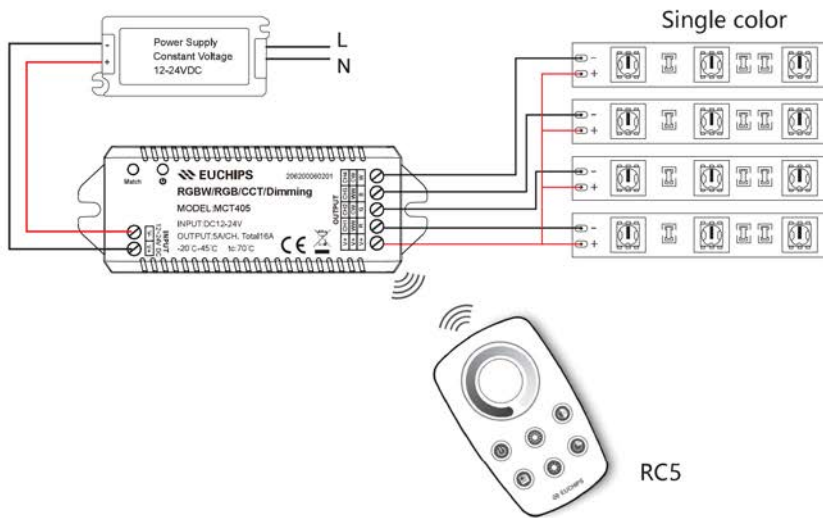
RGBW



WW/CW



Single Color



Mode List

No.	Name	No.	Name
1	RGB jump	6	RGB fade in and out
2	RGB smooth	7	Red fade in and out
3	Six color jump	8	Green fade in and out
4	Six color smooth	9	Blue fade in and out
5	Yellow cyan purple smooth	10	White fade in and out

Exception Handles

Malfunction	Causation	Settle
No light	1 , No power 2 , The protection of the power supply is active 3 , Wrong connection	1 , Check the power 2 , Check the fault, then power on again 3 , Check the connection
No response from the remote	4 , Wrong battery installation 5 , Beyond controllable distance	4 , Install the battery correctly 5 , Reduce remote controllable distance
Delay response from the remote	6 , battery power is not enough or incorrect step when install battery	6 , Replace battery or reinstall battery
Uneven intensity between front and rear, with voltage drop	7 , Output cable is too long 8 , Wire diameter is too small 9 , Overload beyond dimmer or power supply capability	7 , Reduce cable or use loop supply 8 , Change wider wire 9 , add power amplifier

