

RGBW CONTROLLER 5A*4CH 2.4G 104(L)*37.8(W)*22(H)M

SKU: F6011003-022

Feature

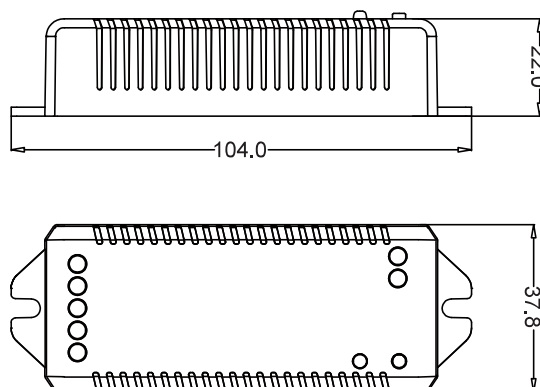
- 4 constant voltage output, each channel can drive 5A max.
- Using 2.4G RF remote control, Long distance transmission.
- Pre-loaded with 10 modes (scenes).
- Compatible with Led strip light or constant voltage panel light, etc.
- Can be used with a variety of control devices, such as RC5, RC7, RC6,RC10,RC11etc.



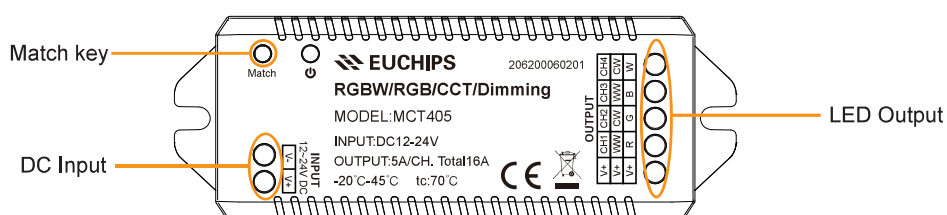
Technical Parameter

Channels	4 channels
Input Voltage	12-24V DC
Output Voltage	12-24V DC
Output Current	5A/CH Total MAX 16A
Color Modes	10 Modes
Protection	Short-circuit protect,Over current protect, Over temp protect
Pack Size	104(L)×37.8(W)×22(H) mm
N.G.	51g
Working Temp.	-20 ~ 45 °C

Product Size



Interface Instruction



RGBW CONTROLLER 5A*4CH 2.4G 104(L)*37.8(W)*22(H)M

Match Guide

Receiver match with all kinds of single or multiple group 2.4G RF remote controller.
After match different color RF remote, the receiver become the same color controller.

● Use Match key

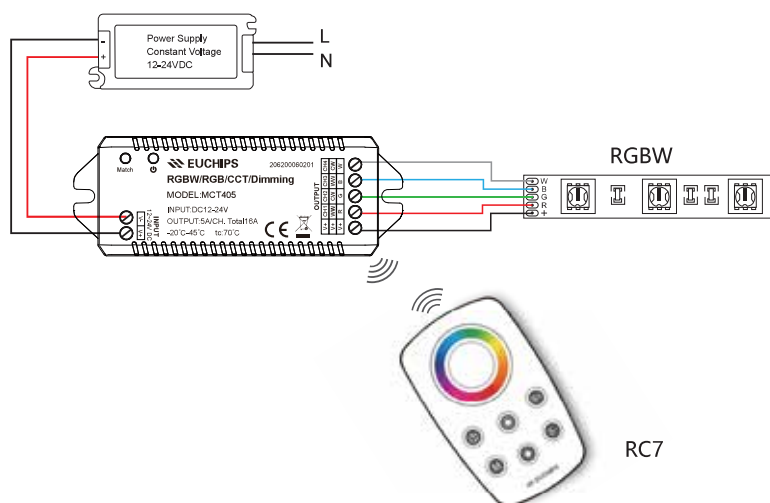
1. Match: Short press match key, within 5s, press on/off key or group on of the remote 3 times, the lights connecting to the led controller will flick for 3 times, then this group is match successfully
2. Delete: Short press match key, within 5s, press on/off key or group on of the remote 6 times, the lights connecting to the led controller will flick for 6 times, then this group is delete successfully
3. Multiple zone remote only use group key to match each group receive

● Use Power-up

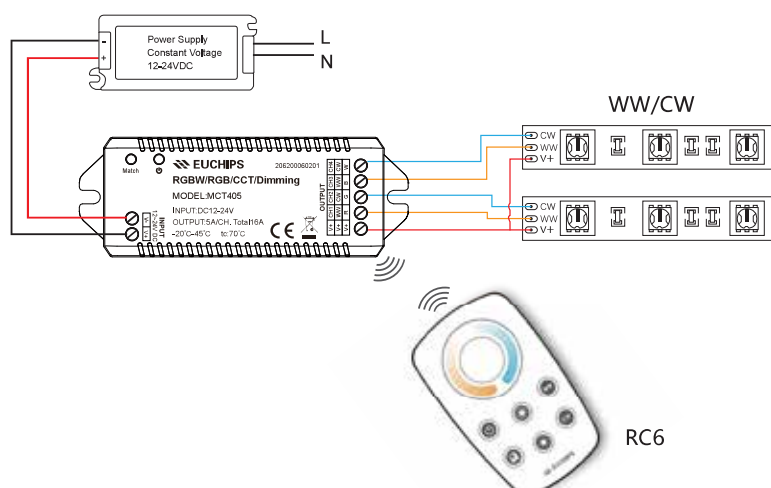
1. Match: Switch off the power, then switch on power again, short press on/off key or group on 3 times on the remote quickly within 5s after power on, the lights connecting to the led controller will flick for 3 times, then this group is match successfully
2. Delete: Switch off the power, then switch on power again, short press on/off key or group on 6 times on the remote quickly within 5s after power on, the lights connecting to the led controller will flick for 6 times, then this group is delete successfully
3. Multiple zone remote only use group key to match each group receiver.

Wiring Instruction

RGBW

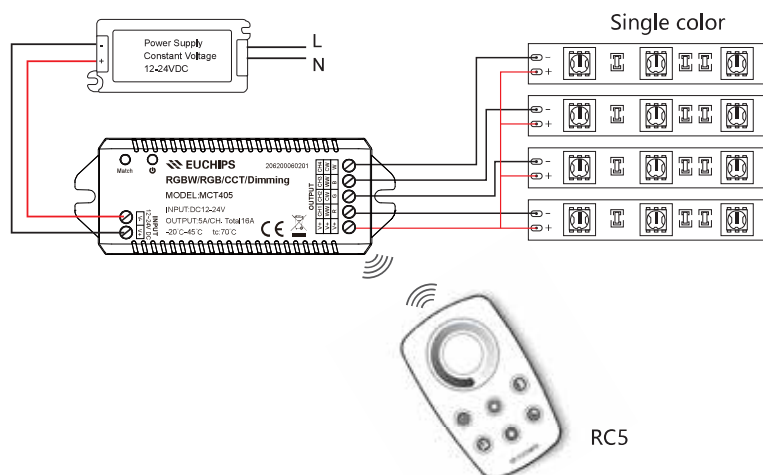


WW/CW



RGBW CONTROLLER 5A*4CH 2.4G 104(L)*37.8(W)*22(H)M

Single Color



Mode List

No.	Name	No.	Name
1	RGB jump	6	RGB fade in and out
2	RGB smooth	7	Red fade in and out
3	Six color jump	8	Green fade in and out
4	Six color smooth	9	Blue fade in and out
5	Yellow cyan purple smooth	10	White fade in and out

Exception Handles

Malfunction	Causation	Settle
No light	1 , No power 2 , The protection of the power supply is active 3 , Wrong connection	1 , Check the power 2 , Check the fault, then power on again 3 , Check the connection
No response from the remote	4 , Wrong battery installation 5 , Beyond controllable distance	4 , Install the battery correctly 5 , Reduce remote controllable distance
Delay response from the remote	6 , battery power is not enough or incorrect step when install battery	6 , Replace battery or reinstall battery
Uneven intensity between front and rear, with voltage drop	7 , Output cable is too long 8 , Wire diameter is too small 9 , Overload beyond dimmer or power supply capability	7 , Reduce cable or use loop supply 8 , Change wider wire 9 , add power amplifier