



Τα “CONTROLLERS” καθιστούν δυνατή την αξιοποίηση της τεχνολογίας LED στο μέγιστο. Ανακαλύψτε την λύση που ταιριάζει στον δικό σας χώρο και απλά στηριχθείτε στην πληρότητα και τον επαγγελματισμό μας. Όλος ο απαραίτητος εξοπλισμός και η τεχνική υποστήριξη για τον φωτισμό σας, είναι διαθέσιμα από την BARISLIGHT®.

“CONTROLLERS” help you exploit LED technology to the fullest. Rely on our services and we can find together the solution that best fits your area. BARISLIGHT® provides you with all the necessary equipment and technical support of your lighting ideas and applications.

**code** AC080401-001

**product name** CONTROLLER RF LED DIM PUSH 15A-12/24V 10A-36/48V

**specifications**

Work Voltage	12-48V DC
Max Load Current	15A(12/24V) 10A(36V/48V)
Power	12V<180W 24V<360W 36V<360W 48V<480W

**dimensions**

LxWxH 175x45x27(mm)

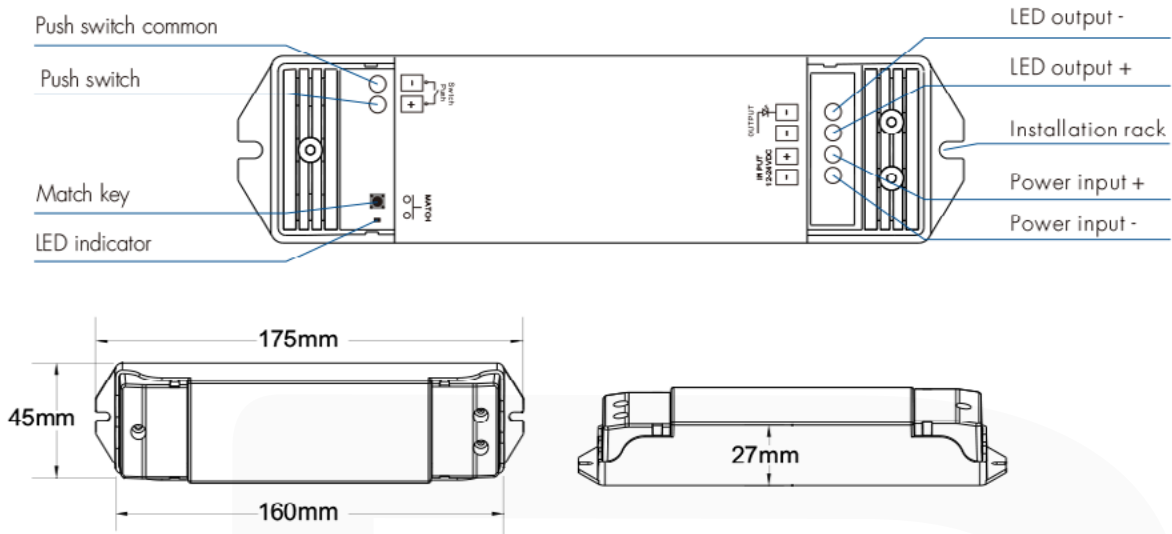
**combine with**

**4-ZONE RF REMOTE FOR DIMMER RF TYPE:2.4G**

**Cod.:** AC080401-002

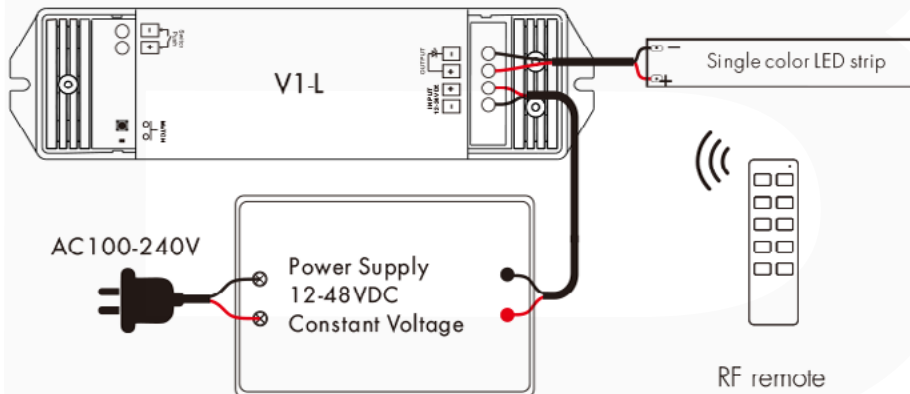


## Mechanical Structures and Installations

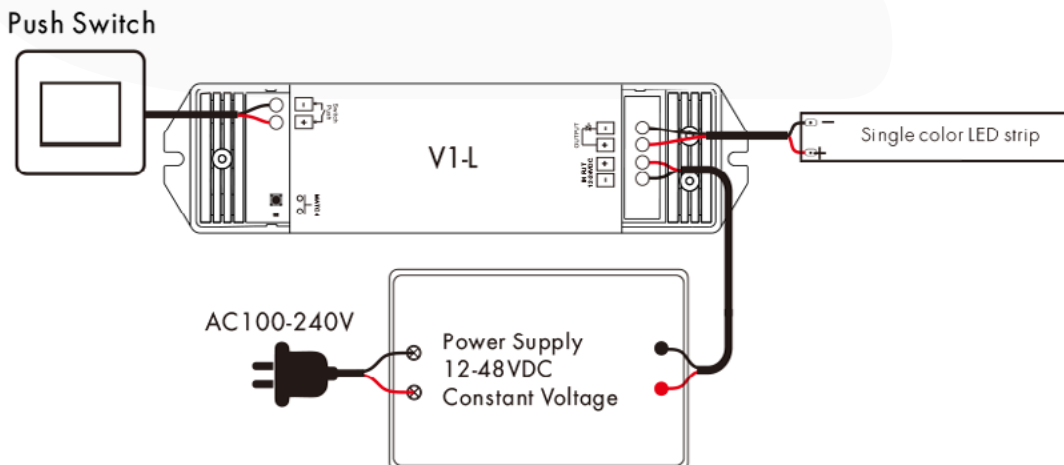


## Wiring Diagram

- Match with dimming remote



- Connect with push switch



## Match Remote Control (two match ways)

End user can choose the suitable match/delete ways. Two options are offered for selection:

### Use the controller's Match key

**Match:**

Short press match key, immediately press on/off key (single zone remote) or zone key (multiple zone remote) on the remote.

The LED indicator fast flash a few times means match is successful.

**Delete:**

Press and hold match key for 5s to delete all match, The LED indicator fast flash a few times means all matched remotes were deleted.

### Use Power Restart

**Match:**

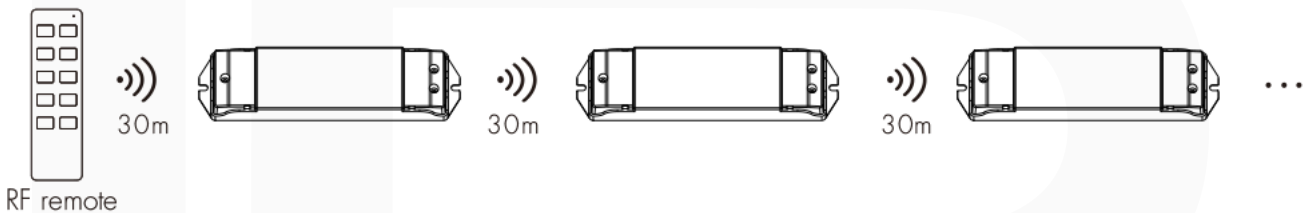
Switch off the power, then switch on power, repeat again. Immediately short press on/off key (single zone remote) or zone key (multiple zone remote) 3 times on the remote. The light blinks 3 times means match is successful.

**Delete:**

Switch off the power, then switch on power, repeat again. Immediately short press on/off key (single zone remote) or zone key (multiple zone remote) 5 times on the remote. The light blinks 5 times means all matched remotes were deleted.

## Application notes

### 1. All the receivers in the same zone.



**Auto-transmitting:** One receiver can transmit the signals from the remote to another receiver within 30m, as long as there is a receiver within 30m, the remote control distance can be extended.

**Auto-synchronization:** Multiple receivers within 30m distance can work synchronously when they are controlled by the same remote.

Receiver placement may offer up to 30m communication distance. Metals and other metal materials will reduce the range. Strong signal sources such as WiFi routers and microwave ovens will affect the range.

We recommend for indoor applications that receiver placements should be no further apart than 1.5m.

### 2. Each receiver(one or more) in a different zone, like zone 1, 2, 3 or 4.

