



### Features :

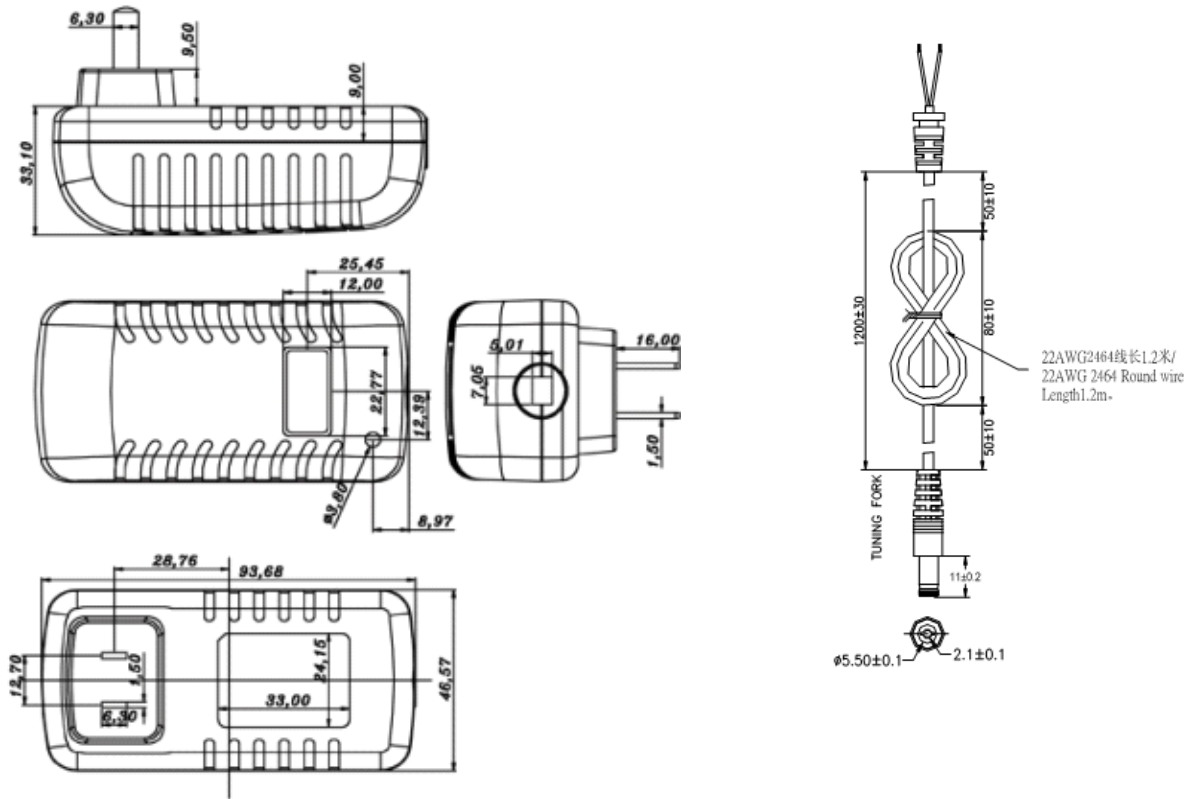
- 100-240VAC input
- SMPS Adaptor
- Working temperature with 60°C
- 100% full load burn-in test
- 2 years warranty

### Specification

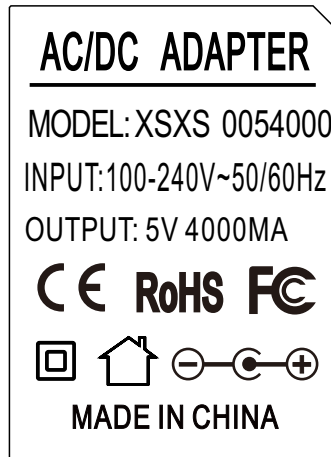


	Model	5V 4A
Output	DC Voltage	5V
	Voltage Range	4.5V-5.5V
	Rated Current	0-4A
	Rated Power	20W
	Ripple & Noise	60mVp-p
Input	Voltage Range	100-240VAC
	Frequency Range	50 - 60Hz
	Overshoot at turn-on/ turn-off	Any overshoot at turn on/ turn off shall be less than 110 % of rated output voltage.
	Full Load Efficiency(Typ.)	75%
	Input Current Limiting	The input current should < 3.6A, under Min. AC input and full loads.
	Inrush current	≤ 50A
Protection	Overshoot at turn-on/ turn-off	Any overshoot at turn on or turn off shall be less than 110 % of rated output voltage.
	Short Circuit	An output short circuit will automatically enter the protected status .The power supply will protectwithout damage to overseers of to the unit (components, connectors, etc) under the protection ofprocess.
	Over Voltage	Min 11.5V, Max 12.5V
	Over Current	The power supply shall meet the limitation requirement Min 4.2A, Max 4.6A without any damage, theunit shall recover the function after the protection is removed.
	Over Temperature	100°C±10°C shut down o/p voltage, re-power on to recover
	Hold up Time	≥10mS at 100Vac, the output loading should be set up with fullload during the test.
	Start up Time	≤ 3S at 100Vac, the output loading should be set up withfull load during the test.
Environment	Burn-in and Life test	RS shall discuss with customer to maker sure the power in house Burn-In and life test procedures.
	Working TEMP.,Humidity	0~+40°C,20~85%RH
	Storage TEMP.,Humidity	-20~+75°C,10~90%RH
	Reliability	MTBF no less than 10000 hours (25 °C, Full load and rated voltage input, MIL-HDBK-217F)
	Insulation Resistance	Primary to Secondary: 10 Meg. Ohms min. 500VDC . Primary to P.G: 10 Meg. Ohms min. 500VDC
Safety Requirement	Dielectric Strength	Primary to Secondary: 1500VAC, < 5mA, 3s
	Withstand Voltage	I/P-O/P:1.5KVAC
	Standard	CE ,FCC Mark,Meet IEC60950,EN55022 standard requirement
Notes	<ol style="list-style-type: none"> <li>1. All parameters NOT specially mentioned are measured at 230VAC input , rated load and 25°C of ambient temperature.</li> <li>2. Tolerance: includes set up tolerance, line regulation and load regulation .</li> <li>3. The power supply is considered as a component that will be operated in combination with final Equipment. Since EMC performance will be affected by the complete installation, the final equipment manufactures must be-qualify EMC Directive on the complete installation again.</li> </ol>	

**Mechanical Specification**



**Label**



**Package**

DIMENSION	93.5*53.50*33(mm) (LxWxH)
CARTON QUANTITY	100 pcs/CTN
CARTON SIZE	51*23.7*30 (mm)
WEIGHT	145g/PCS