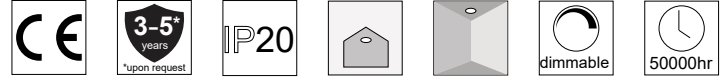


TUBY R19

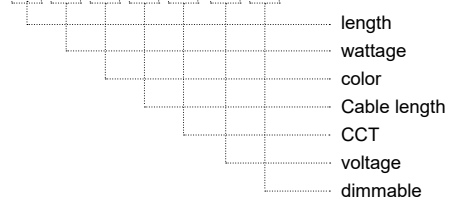


ΠΕΡΙΕΧΟΜΕΝΑ / CONTENTS

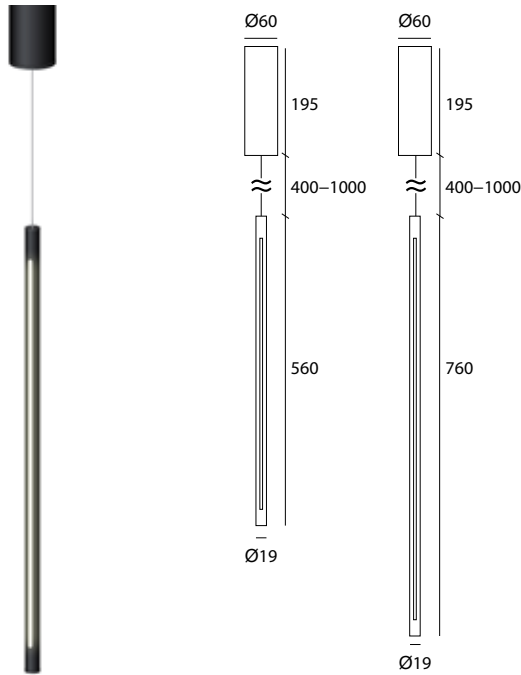
datasheet	1
manual	2

ΚΩΔΙΚΟΣ / CODE

TUBY19- XX-XX-XX-XX-XX-XX-XX



TUBY R19 (TUBY19-) / Datasheet



General information



Application	Indoor / Pendant
Material	Aluminium
LED	LED COB
IP classification	IP20
Life time	50000 hrs
Warranty	3-5 years (*5 years upon request)
Origin	Greece

Length	Wattage	
	560mm (560)	3.5W (35W)
760mm (760)	4.5W (45W)	9W (9W)

Color	Cable Length	Voltage	CCT	Dimmable
Black (BL)	40cm (C40)	12V (V1)	2700K (27K)	Yes (D)
White (WH)	60cm (C60)	24V (V2)	3000K (30K)	No (L)
Anodised (AN)	80cm (C80)	230VAC (V3)	4000K (40K)	
Gold (GL)	100cm (C100)		5000K (50K)	
RAL colors (RL)			6000K (60K)	
Nickel plating (NK)			(R) / (G) / (B) / (AM)	

Δημιουργία Κωδικού προϊόντος / Product Code generator

TUBY19 - length - wattage - color - cable length - voltage - CCT- dimmable)
 (ex. TUBY19-560-35W-BL-C80-V3-27K-D for Tuby R19 560mm 3.5W Black C80cm 230VAC 2700K dimmable)

TUBY R19 / Manual

