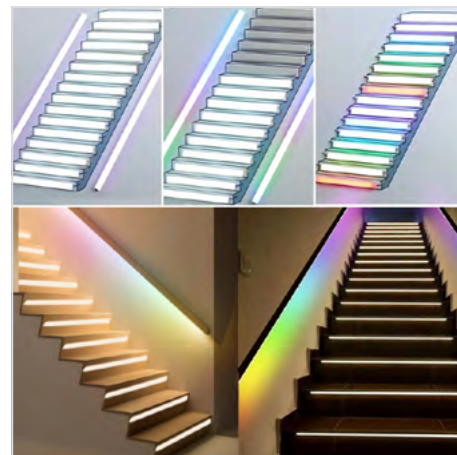
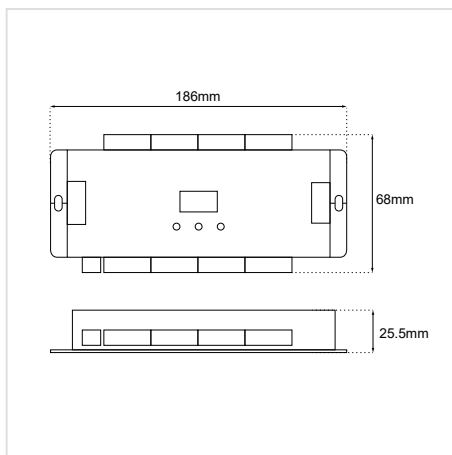


SENSOR PIR STAIR LIGHT CONTROLLER 5-24VDC 32CH*1A

SKU: AC011003-002



GENERAL INFORMATION

INPUT VOLTAGE	5-24VDC
OUTPUT VOLTAGE	32 × (5-24VDC)
OUTPUT CURRENT	32CH, 1A/CH
OUTPUT POWER	32 × (5-24W)
OUTPUT TYPE	Constant voltage + SPI(TTL)
SENSOR	2 PIR human body infrared sensor switches (Recessed)
PIR SENSOR MODE	Light on when someone approaches; light off when leaving
SENSITIVE FIELD	≤3m
SENSITIVITY ANGLE	30° (±10°)
DIMENSIONS (W×H×L)	186×25.5×68mm

- Two stair light controllers can be cascaded for extended control.
- Features 2 groups of SPI (TTL) signal outputs, capable of driving 27 digital IC RGB LED strips with customizable IC types and R/G/B order.
- Equipped with an OLED display and 3-button operation for easy settings.
- Available in 4 configurations: white step flow lighting, Z-shape RGB digital flow lighting, straight RGB digital flow lighting, and a combination of white step flow and straight RGB digital flow lighting.
- Offers multiple built-in color modes with adjustable speed from 1 to 8 levels.
- Button switch can also function as an inductive signal input.
- Includes a fast self-checking function for quick diagnostics.

SENSOR PIR STAIR LIGHT CONTROLLER 5-24VDC 32CH*1A

SCHEMATIC DIAGRAM

