

Mounting bracket HR-OPTI-45

Ref. C28091N00

Ref. arch 42125

NEW



- Strong attachment of facade profiles
- Distance of the fixture from the mounting surface: 45 mm
- Correcting the position of the lighting fixture on an uneven surface
- Possibility to fasten the luminaire at the back or side
- Adjustable lighting angle of the lighting fixture
- High mechanical and weather resistance

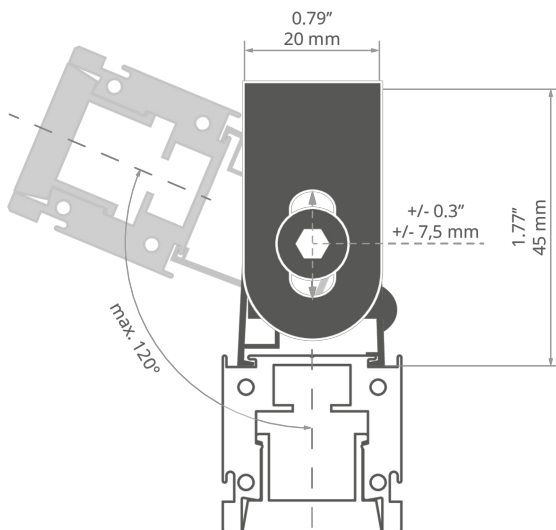
APPLICATION

- for fixing LED lighting fixtures in facade systems

MOUNTING

- to the surface, using properly selected screws
- to the lighting fixture, with hooks

TECHNICAL DRAWING



TECHNICAL SPECIFICATIONS

Material	stainless steel	Corrosion resistance	yes
Color	steel	Lifting capacity	20 kg
Width	20 mm	Lighting angle adjustment up to	120°

Mounting bracket HR-OPTI-45

Ref. C28091N00

Ref. arch 42125

SAMPLE PROJECTS

