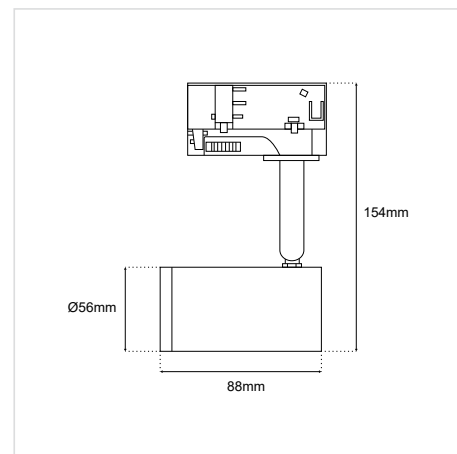
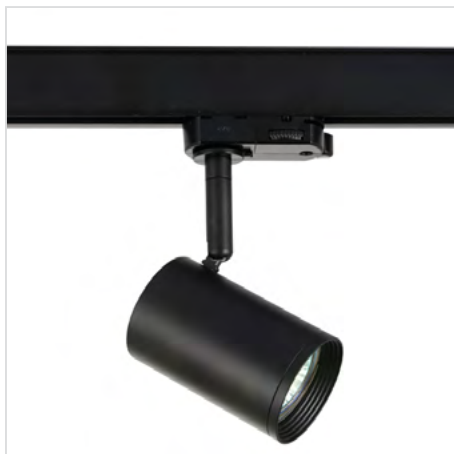


TRACK SPOT GU10 4C No68

SKU: Black: 28050103-036, White: 28050103-039



GENERAL INFORMATION

| | |
|-----------------------|------------------------|
| APPLICATION | Indoor / 3-Phase track |
| DIRECTION OF MOUNTING | Ceiling |
| MATERIAL | Aluminium |
| COLOR | Black White |
| DIMENSIONS (Ø×L) | 56 × 88 mm |
| IP RATING | IP20 |
| POWER SUPPLY | 3-Phase |
| VOLTAGE | 230VAC |
| LAMP-HOLDER | GU10 |
| LIGHT-BULB QUANTITY | 1 |
| WARRANTY | 2 years |
| ORIGIN | PRC |