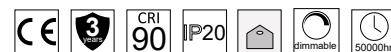


FOCUS BELT D100

12W OPAL 30K RA90 24V

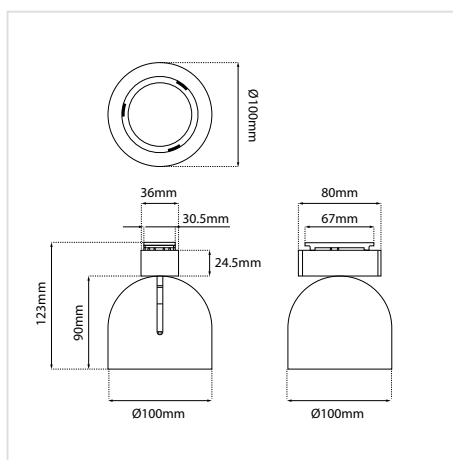


SKU: ■ Red: Ε4010103-226, ■ Black: Ε4010103-233, ■ Beige: Ε4010103-234

ΠΕΡΙΕΧΟΜΕΝΑ / CONTENTS

| | |
|-------------------------|---|
| DATASHEET | 1 |
| MANUAL | 2 |
| BELT TRACK LIGHTS | 5 |

DATASHEET



GENERAL INFORMATION

| | |
|--------------------------|---------------------------------|
| APPLICATION | Indoor / For Belt Track |
| MATERIAL | Aluminium body / Glass diffuser |
| VISIBLE DIMENSIONS (Ø×H) | Ø100 × 123 mm |
| COLOR | Red / Black / Beige |
| NET WEIGHT | 0.65kg |
| IP CLASSIFICATION | IP20 |
| LIFE TIME | 50000 hours |
| WARRANTY | 3 years |
| ORIGIN | PRC |

FOCUS BELT D100

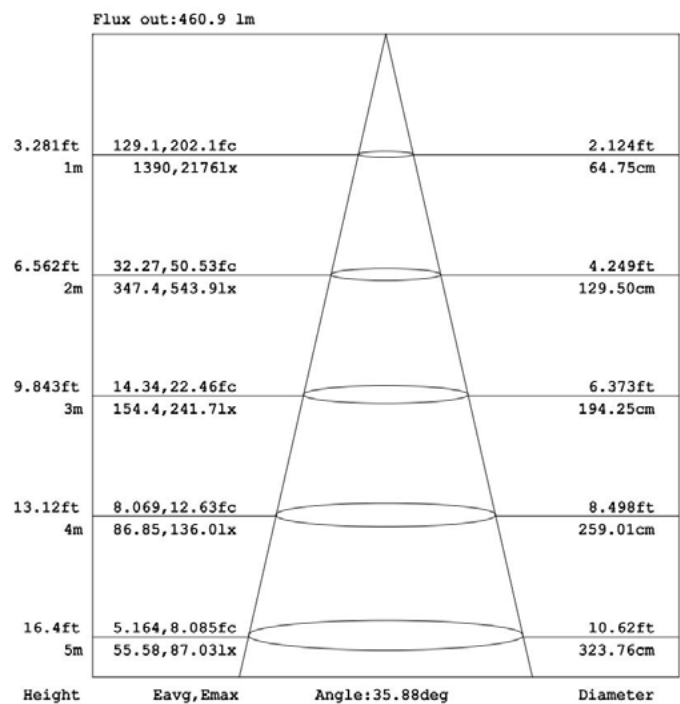
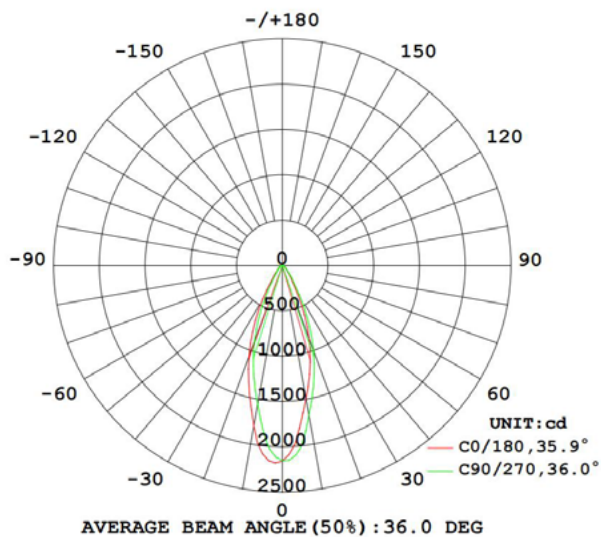
12W OPAL 30K RA90 24V

ILLUMINANT

| | |
|------------|-----------------------|
| LED TYPE | Osram |
| WATTAGE | 12W |
| CCT | 3000K |
| CRI | Ra>90 |
| BEAM ANGLE | 15D / 24D / 36D / 60D |
| OUTPUT | 1080lm |
| DIMMABLE | Triac,0/1-10V, Dali |

LIGHT DISTRIBUTION

LUMINOUS INTENSITY DISTRIBUTION DIAGRAM



FOCUS BELT D100

12W OPAL 30K RA90 24V

MANUAL

ΟΔΗΓΙΕΣ ΕΓΚΑΤΑΣΤΑΣΗΣ

INSTALLATION INSTRUCTIONS

ΣΗΜΑΝΤΙΚΟ:

Αυτό το εξάρτημα πρέπει να εγκατασταθεί από εξειδικευμένο ηλεκτρολόγο.

Η BarisLight δεν φέρει ευθύνη για τυχόν ζητήματα που προκύπτουν από ακατάλληλη εγκατάσταση που δεν συμμορφώνεται με τα τοπικά πρότυπα ασφαλείας.

Παρακαλούμε δώστε ένα αντίγραφο αυτών των οδηγιών στο άτομο που είναι υπεύθυνο για τη συντήρηση της εγκατάστασης.

IMPORTANT:

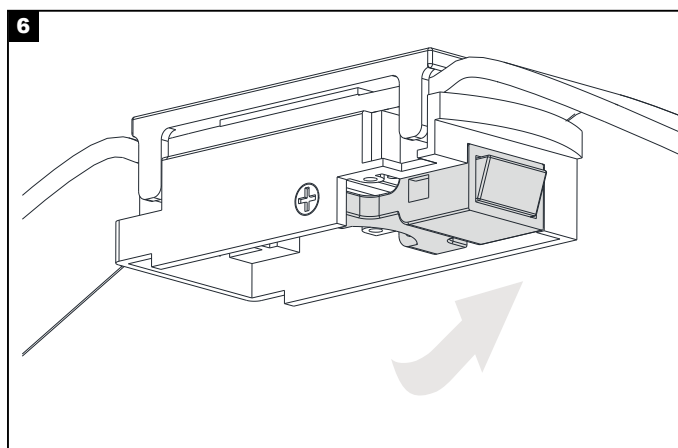
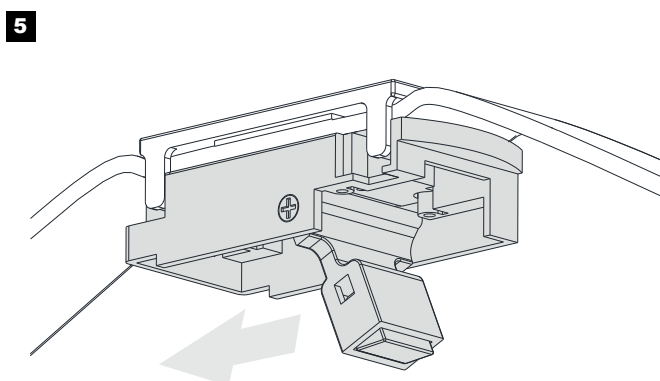
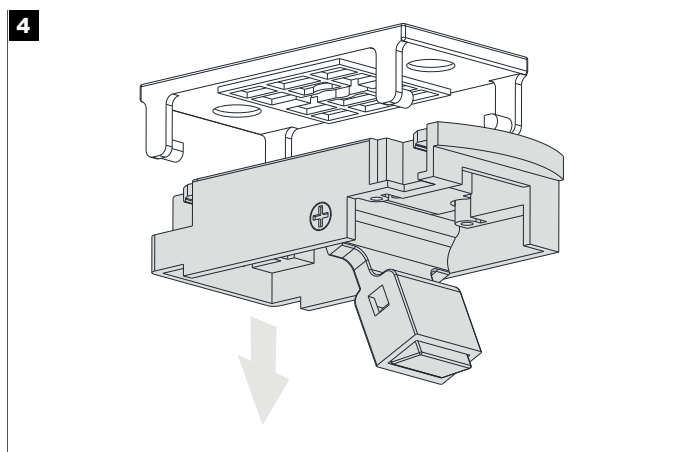
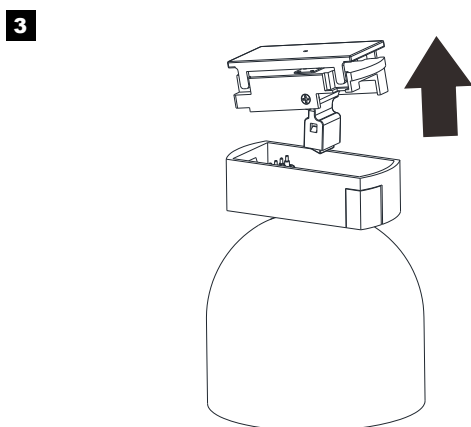
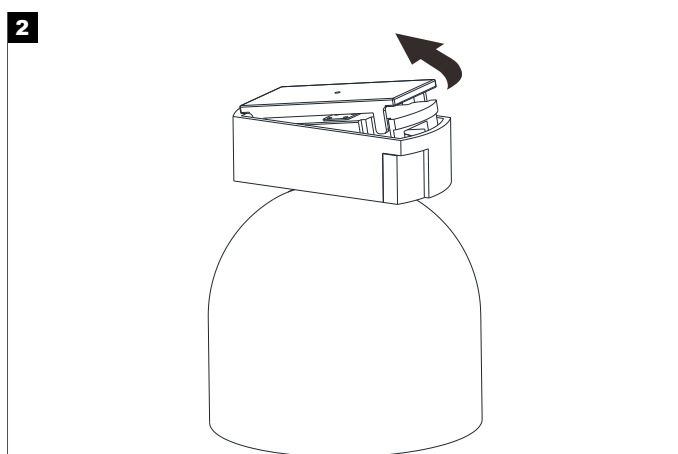
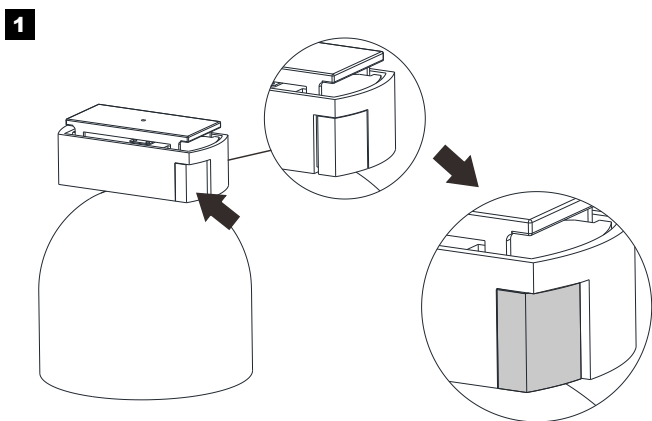
This luminaire must be installed by a qualified electrician.

Disclaimer:

BarisLight is not liable for any issues arising from improper installation that does not comply with local safety standards.

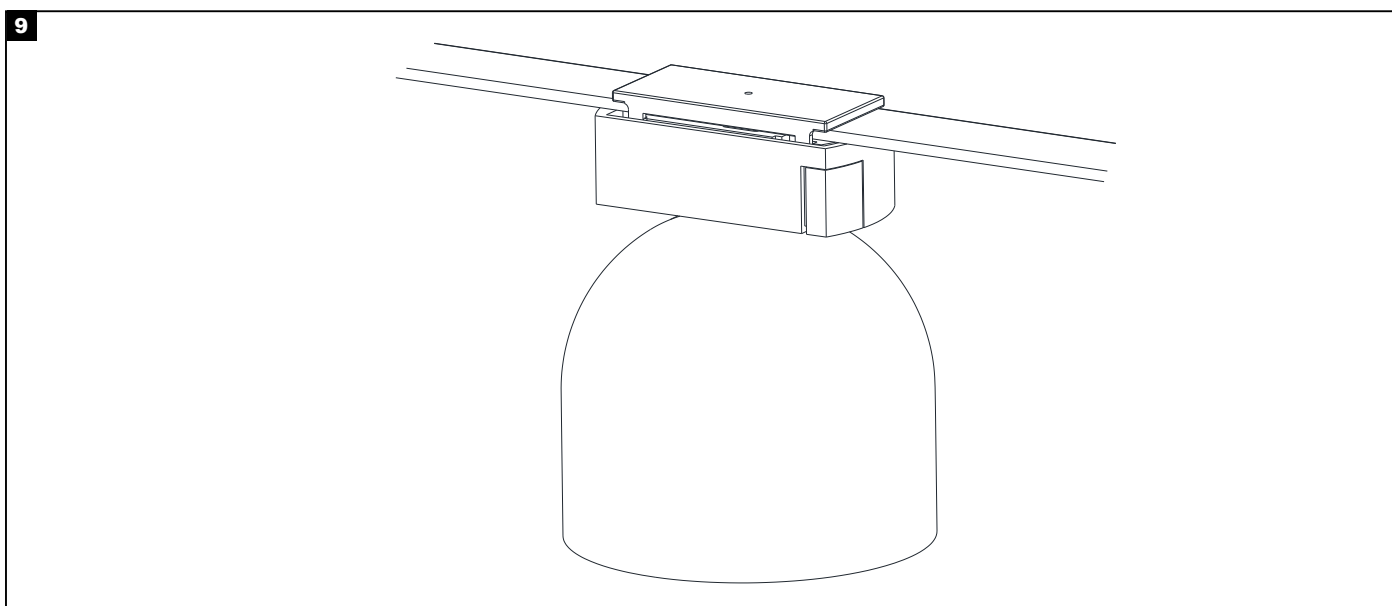
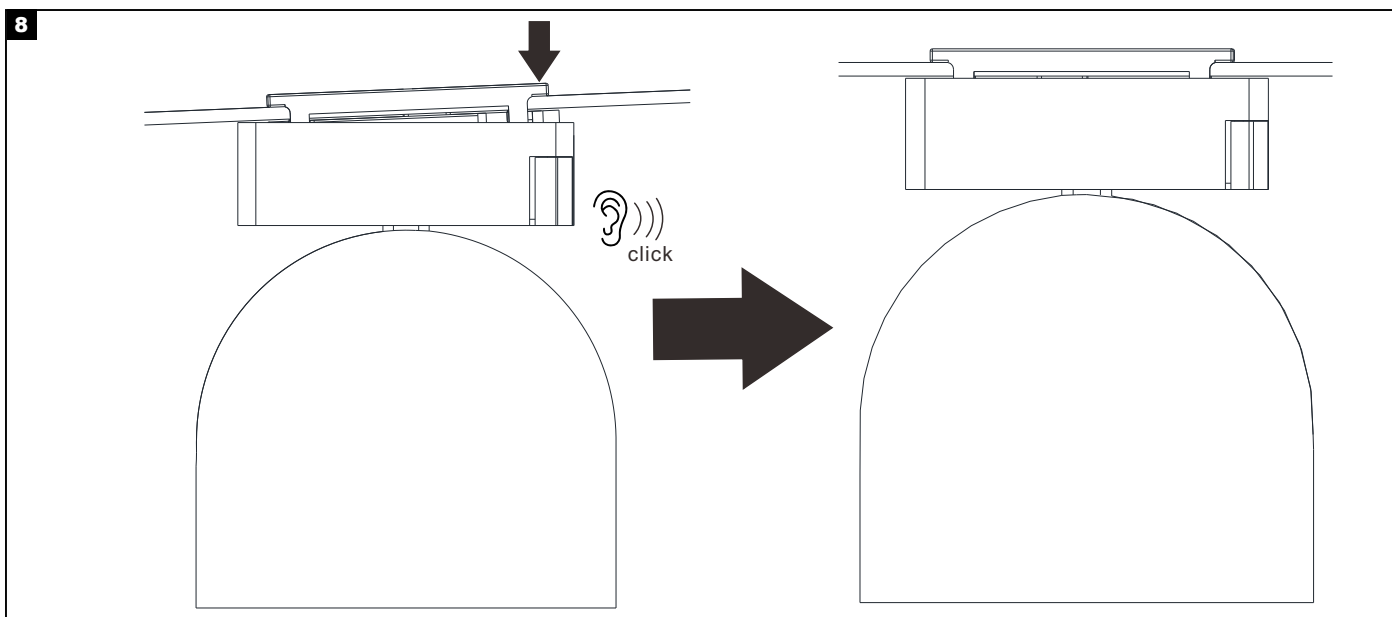
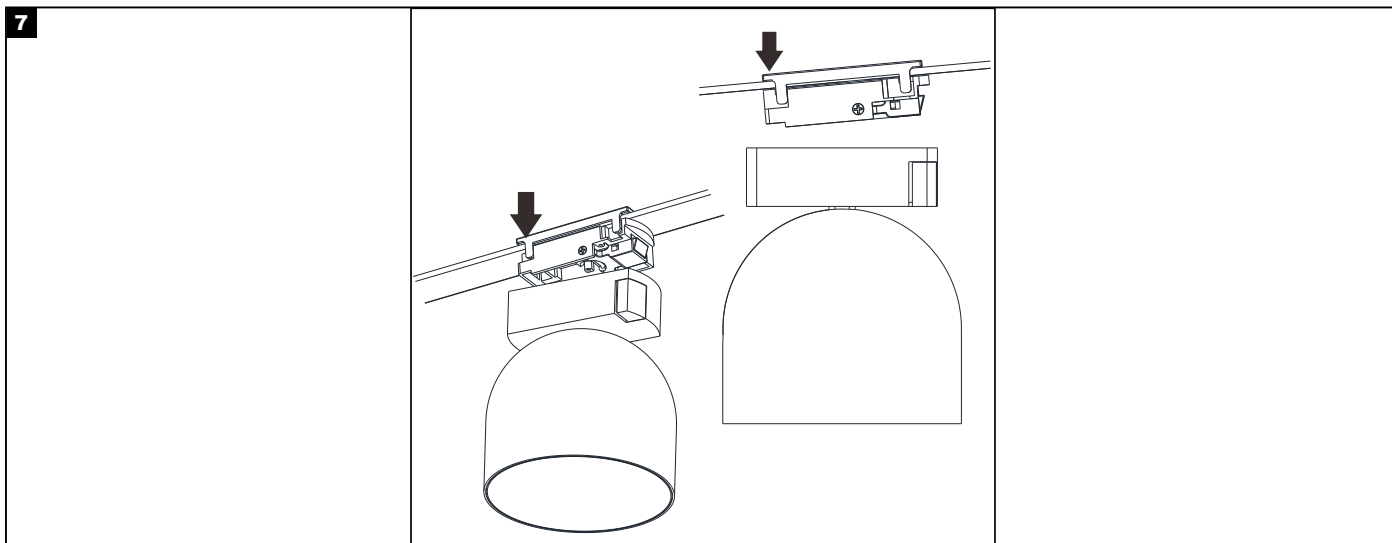
Instructions:

Please provide a copy of these instructions to the person responsible for maintaining the installation.



FOCUS BELT D100
12W OPAL 30K RA90 24V

MANUAL









Η εγκατάσταση του προϊόντος πρέπει να γίνεται από αδειούχο ηλεκτρολόγο εγκαταστάτη. The product must be installed by a licensed electrical installer.

FOCUS BELT D100

12W OPAL 30K RA90 24V

BELT TRACK LIGHTS

| | | | | |
|-------------|---|---|--|---|
| BELT TRACKS |  |  |  |  |
| | BELT TRACK 4 WIRE Red: E4010103-155 | BELT TRACK 4 WIRE Black: E4010103-156 | BELT TRACK 4 WIRE Beige: E4010103-224 | BELT TRACK 4 WIRE Green: E4010103-157 |



| | | | | |
|------------|--|---|--|--|
| LUMINAIRES |  |  |  |  |
| | LINE BELT 30W Diffused 3000K RA90 24V Red: E4010103-158 Black: E4010103-227 Beige: E4010103-228 | LUNA BELT D200 12W Opal 30K RA90 Red: E4010103-159 Black: E4010103-229 Beige: E4010103-230 | LUNA BELT D300 20W Opal 30K Red: E4010103-225 | HEMIPHERE BELT D200 15W Diffused RA90 Red: E4010103-160 Black: E4010103-231 Beige: E4010103-232 |

| | |
|---|---|
|  |  |
| FOCUS BELT D100 12W Opal 30K Red: E4010103-226 Black: E4010103-233 Beige: E4010103-234 | CONE BELT D600 20W 30K Diffused RA90 Red: E4010103-161 |

FOCUS BELT D100

12W OPAL 30K RA90 24V

BELT TRACK LIGHTS

| | | | | |
|-----------------------|---|--|---|---|
| ELECTRICAL CONNECTION |  <p>Surface Driver Box D250 for Belt Track ■ Red: E4010103-254 ■ Black: E4010103-235 ■ Green: E4010103-255</p> |  <p>Recessed Power Feed D110 for Belt Track ■ Red: E4010103-223 ■ Black: E4010103-236 ■ Green: E4010103-237</p> |  <p>Surface Power Feed D80 for Belt Track ■ Red: E4010103-238 ■ Black: E4010103-239 ■ Green: E4010103-240</p> |  <p>Remote Power Feed Surface for Belt Track ■ Black: E4010103-235</p> |
| |  <p>Surface Mounted Kit for Belt Track ■ Red: E4010103-242 ■ Black: E4010103-163 ■ Green: E4010103-243</p> |  <p>Surface Fasten Anchor for Belt Track ■ Red: E4010103-244 ■ Black: E4010103-245 ■ Green: E4010103-246</p> |  <p>Surface Counter Weight for Belt Track ■ Red: E4010103-247 ■ Black: E4010103-248 ■ Green: E4010103-249</p> |  <p>Surface Cable End Cap for Belt Track ■ Black: E4010103-250</p> |
| |  <p>Surface Double Cable End Cap for Belt Track ■ Black: E4010103-251</p> |  <p>Pendant Cable End Cap for Belt Track ■ Black: E4010103-252</p> | | |
| | INSTALLATION | | | |