

HEMISPHERE BELT D200

15W DIFFUSE RA90

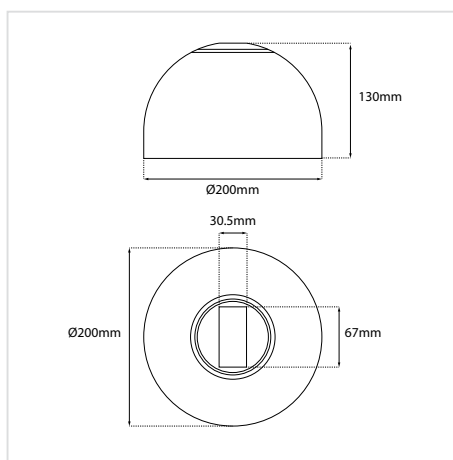


SKU: ■ Red: Ε4010103-160, ■ Black: Ε4010103-231, ■ Beige: Ε4010103-232

ΠΕΡΙΕΧΟΜΕΝΑ / CONTENTS

DATASHEET	1
MANUAL	2
BELT TRACK LIGHTS	5

DATASHEET



GENERAL INFORMATION

APPLICATION	Indoor / For Belt Track
MATERIAL	Aluminium
VISIBLE DIMENSIONS (Ø×H)	Ø200 × 130 mm
COLOR	Red / Black / Beige
NET WEIGHT	0.75kg
IP CLASSIFICATION	IP20
LIFE TIME	50000 hours
WARRANTY	3 years
ORIGIN	PRC

HEMISPHERE BELT D200

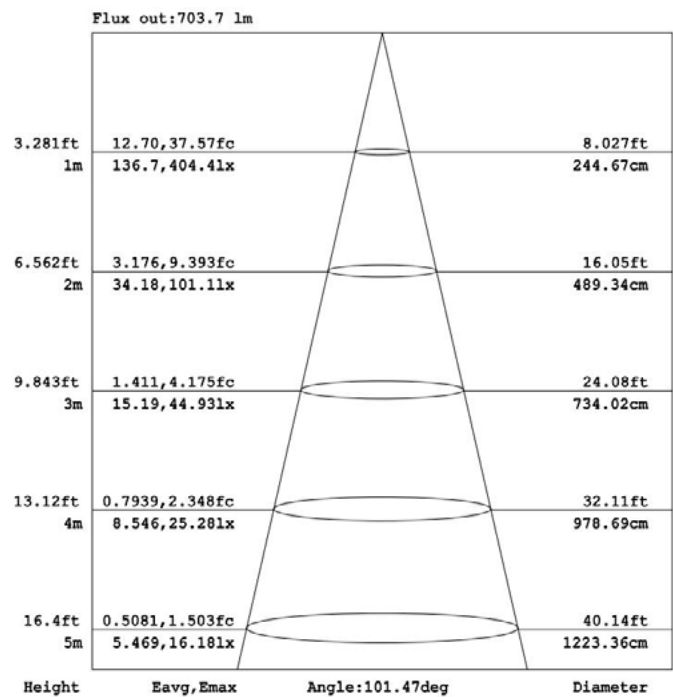
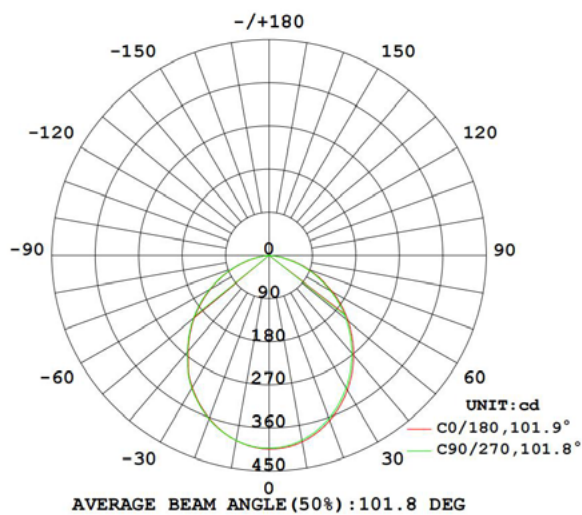
15W DIFFUSE RA90

ILLUMINANT

LED TYPE	Cree
WATTAGE	15W
CCT	3000K
CRI	Ra>90
BEAM ANGLE	Diffuse
OUTPUT	1005lm
DIMMABLE	Triac,0/1-10V, Dali

LIGHT DISTRIBUTION

LUMINOUS INTENSITY DISTRIBUTION DIAGRAM



HEMISPHERE BELT D200

15W DIFFUSE RA90

MANUAL

ΟΔΗΓΙΕΣ ΕΓΚΑΤΑΣΤΑΣΗΣ ΓΙΑ ΤΑ LUNA 200 / LUNA 300 / HEMISPHERE / CONE INSTALLATION INSTRUCTIONS FOR LUNA 200 / LUNA 300 / HEMISPHERE / CONE

ΣΗΜΑΝΤΙΚΟ:

Αυτό το εξάρτημα πρέπει να εγκατασταθεί από εξειδικευμένο ηλεκτρολόγο.

Η BarisLight δεν φέρει ευθύνη για τυχόν ζητήματα που προκύπτουν από ακατάλληλη εγκατάσταση που δεν συμμορφώνεται με τα τοπικά πρότυπα ασφαλείας.

Παρακαλούμε δώστε ένα αντίγραφο αυτών των οδηγιών στο άτομο που είναι υπεύθυνο για τη συντήρηση της εγκατάστασης.

IMPORTANT:

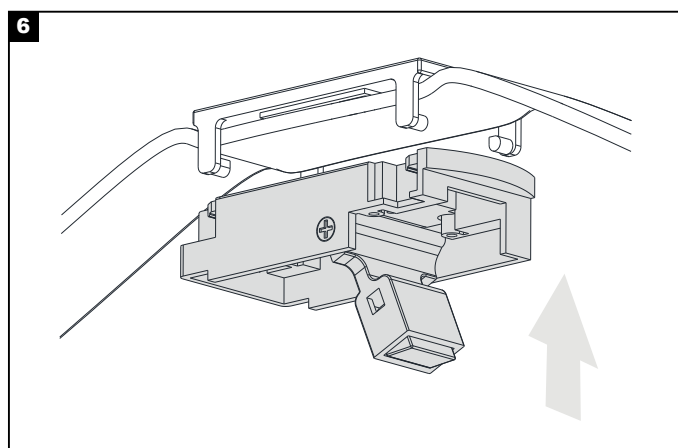
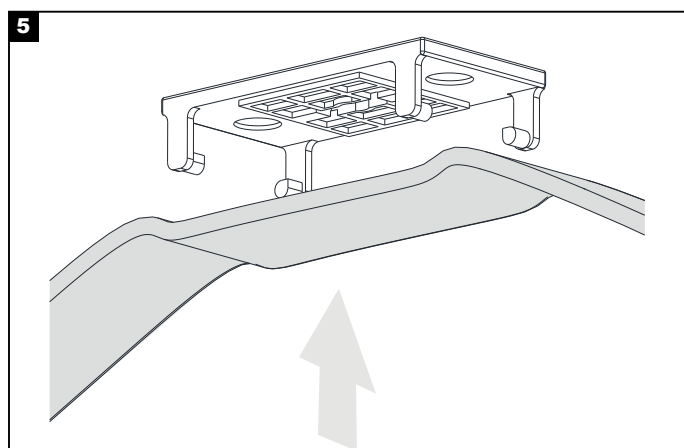
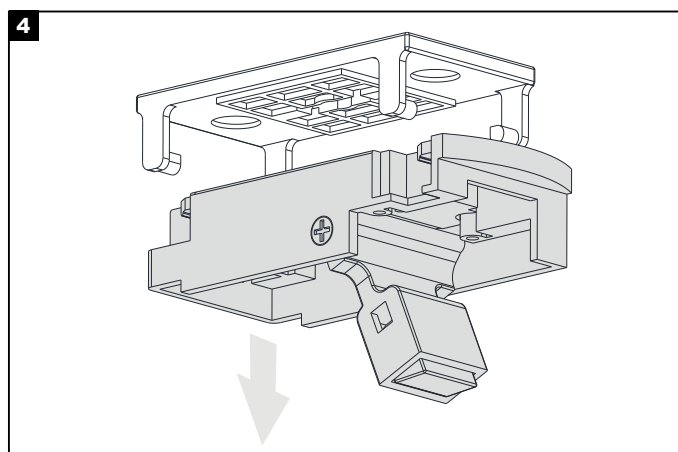
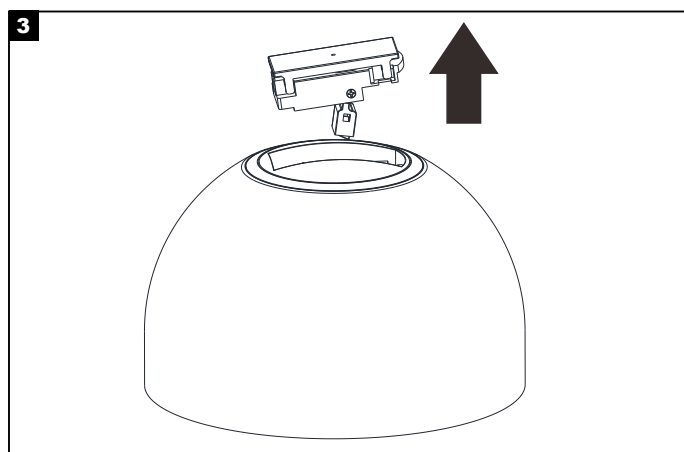
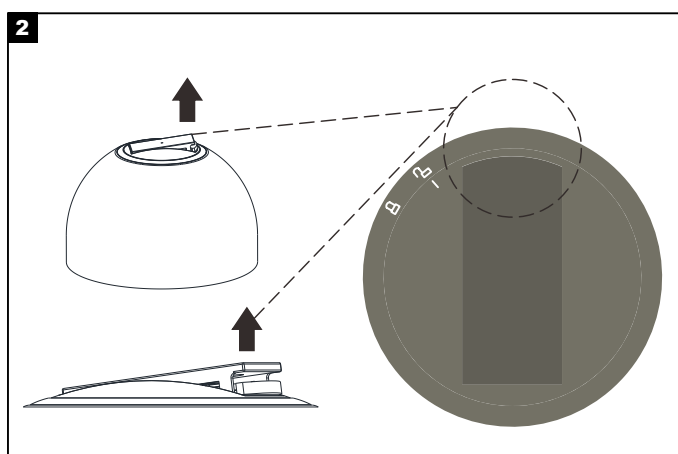
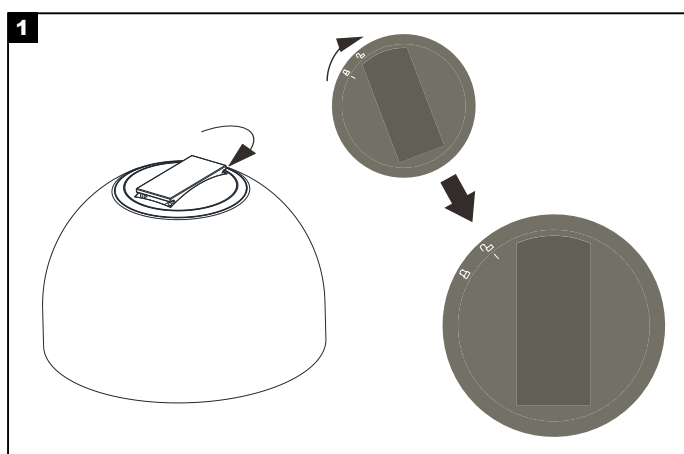
This luminaire must be installed by a qualified electrician.

Disclaimer:

BarisLight is not liable for any issues arising from improper installation that does not comply with local safety standards.

Instructions:

Please provide a copy of these instructions to the person responsible for maintaining the installation.

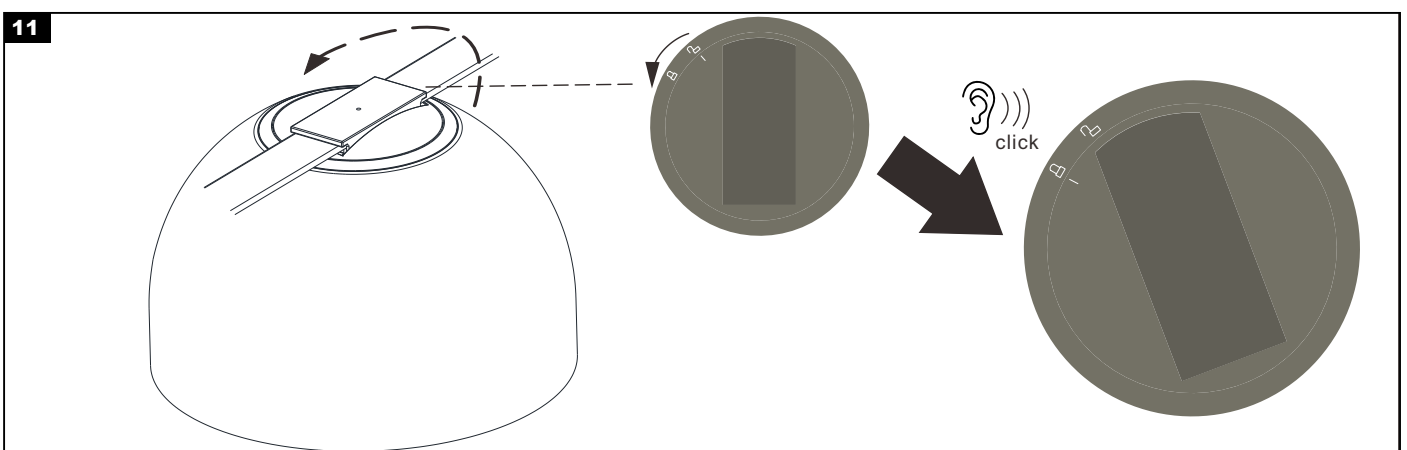
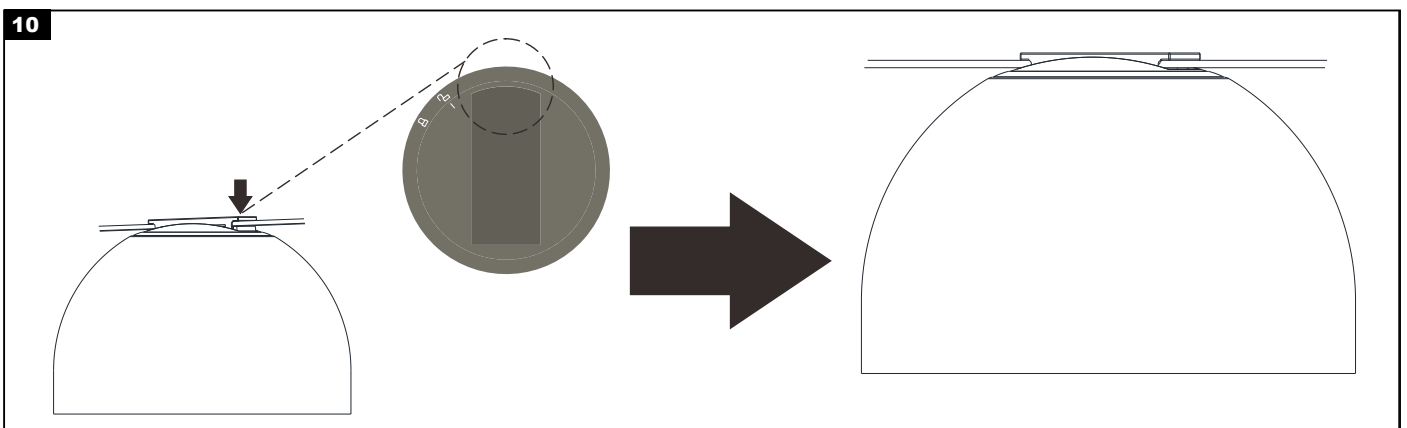
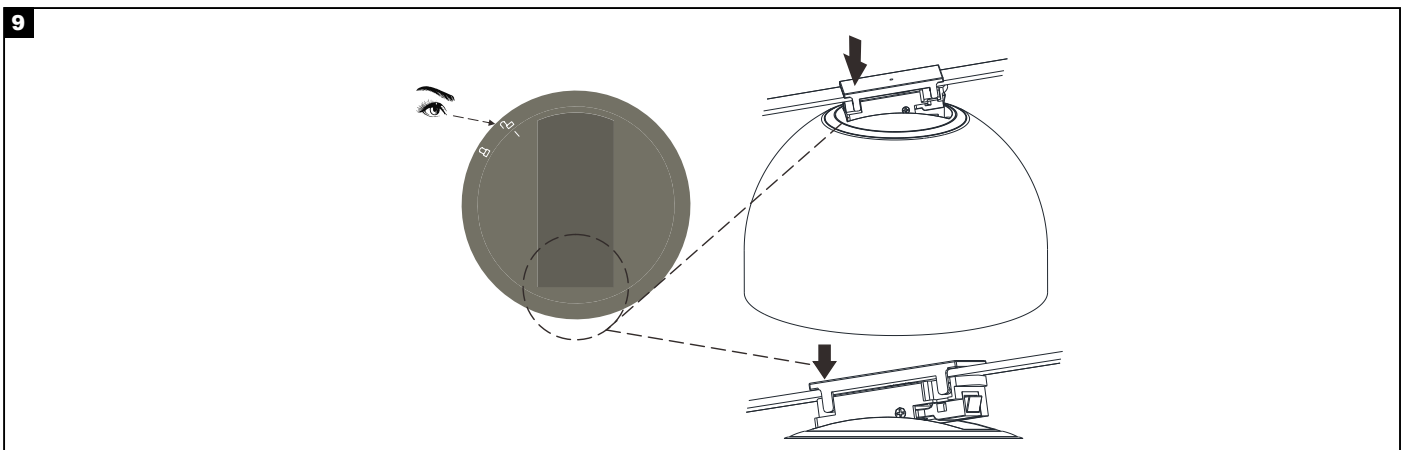
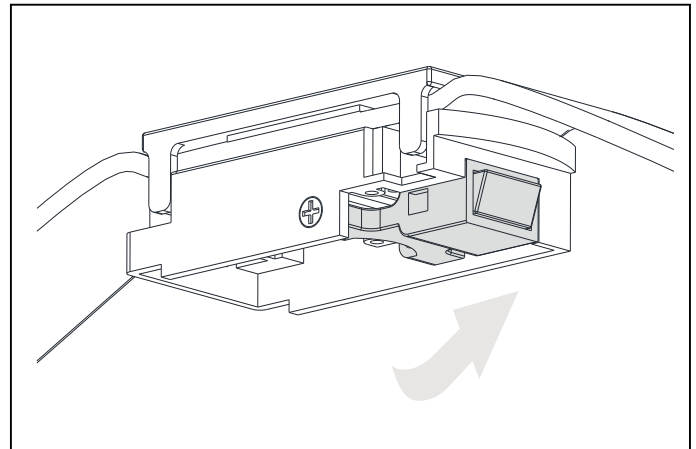
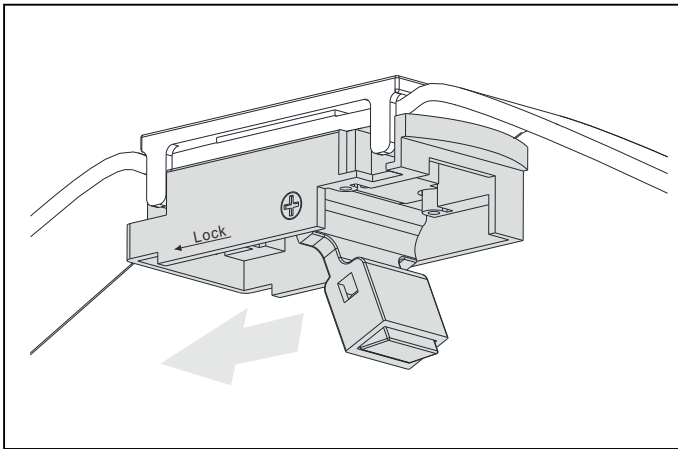


Η εγκατάσταση του προϊόντος πρέπει να γίνεται από αδειούχο ηλεκτρολόγο εγκαταστάτη. The product must be installed by a licensed electrical installer.

HEMISPHERE BELT D200

15W DIFFUSE RA90

MANUAL



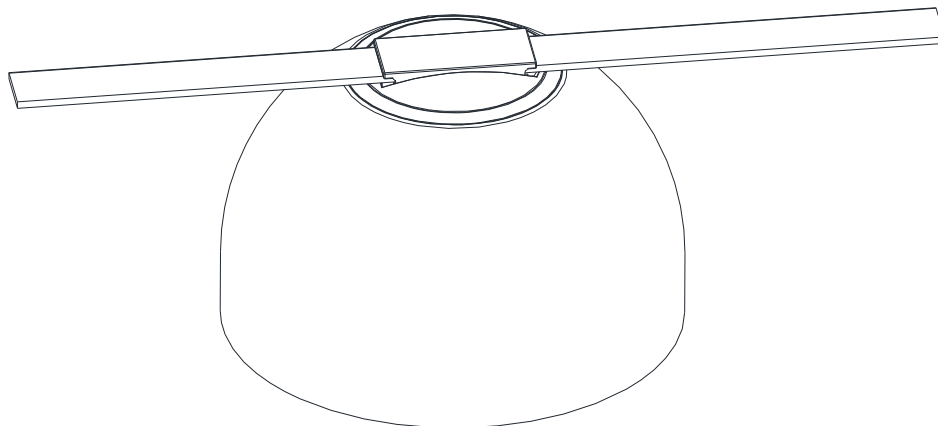
Η εγκατάσταση του προϊόντος πρέπει να γίνεται από αδειούχο ηλεκτρολόγο εγκαταστάτη. The product must be installed by a licensed electrical installer.

HEMISPHERE BELT D200

15W DIFFUSE RA90

MANUAL





12









HEMISPHERE BELT D200

15W DIFFUSE RA90

BELT TRACK LIGHTS

BELT TRACKS				
	BELT TRACK 4 WIRE Red: E4010103-155	BELT TRACK 4 WIRE Black: E4010103-156	BELT TRACK 4 WIRE Beige: E4010103-224	BELT TRACK 4 WIRE Green: E4010103-157

LUMINAIRES				
	LINE BELT 30W Diffused 3000K RA90 24V Red: E4010103-158 Black: E4010103-227 Beige: E4010103-228	LUNA BELT D200 12W Opal 30K RA90 Red: E4010103-159 Black: E4010103-229 Beige: E4010103-230	LUNA BELT D300 20W Opal 30K Red: E4010103-225	HEMISPHERE BELT D200 15W Diffused RA90 Red: E4010103-160 Black: E4010103-231 Beige: E4010103-232
				
	FOCUS BELT D100 12W Opal 30K Red: E4010103-226 Black: E4010103-233 Beige: E4010103-234	CONE BELT D600 20W 30K Diffused RA90 Red: E4010103-161		

HEMIPHERE BELT D200

15W DIFFUSE RA90

BELT TRACK LIGHTS

ELECTRICAL CONNECTION	 <p>Surface Driver Box D250 for Belt Track ■ Red: E4010103-254 ■ Black: E4010103-235 ■ Green: E4010103-255</p>	 <p>Recessed Power Feed D110 for Belt Track ■ Red: E4010103-223 ■ Black: E4010103-236 ■ Green: E4010103-237</p>	 <p>Surface Power Feed D80 for Belt Track ■ Red: E4010103-238 ■ Black: E4010103-239 ■ Green: E4010103-240</p>	 <p>Remote Power Feed Surface for Belt Track ■ Black: E4010103-235</p>
	 <p>Surface Mounted Kit for Belt Track ■ Red: E4010103-242 ■ Black: E4010103-163 ■ Green: E4010103-243</p>	 <p>Surface Fasten Anchor for Belt Track ■ Red: E4010103-244 ■ Black: E4010103-245 ■ Green: E4010103-246</p>	 <p>Surface Counter Weight for Belt Track ■ Red: E4010103-247 ■ Black: E4010103-248 ■ Green: E4010103-249</p>	 <p>Surface Cable End Cap for Belt Track ■ Black: E4010103-250</p>
	 <p>Surface Double Cable End Cap for Belt Track ■ Black: E4010103-251</p>	 <p>Pendant Cable End Cap for Belt Track ■ Black: E4010103-252</p>		
	INSTALLATION			