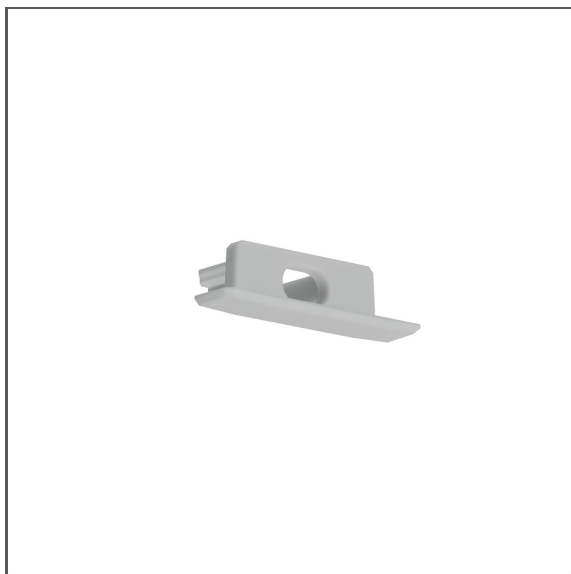


End cap with hole MICRO-NK-OTW

Ref. C24346C02TW, C24346L01TW, C24346C10TW, C24346C07TW



- Cable exit hole

APPLICATION

- aesthetic finish and protection of the interior of the lighting fixture

MOUNTING

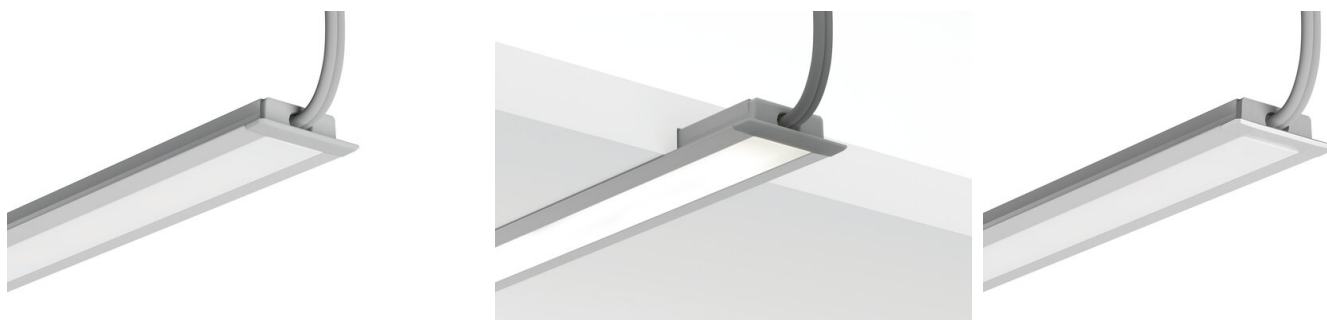
- to the profile, by pressing

TECHNICAL SPECIFICATIONS

Material	ABS
Shape	rectangular
Height	6 mm
Width	22 mm
Corrosion resistance	yes
Corrosion resistance at high salinity	yes
Hole	yes

Color	Ref
■ gray	C24346C02TW
■ silver	C24346L01TW
□ white	C24346C10TW
■ black	C24346C07TW

SAMPLE PROJECTS



End cap with hole MICRO-NK-OTW

Ref. C24346C02TW, C24346L01TW, C24346C10TW, C24346C07TW

RELATED PROFILES > UNIVERSAL



MICRO-NK
A01587