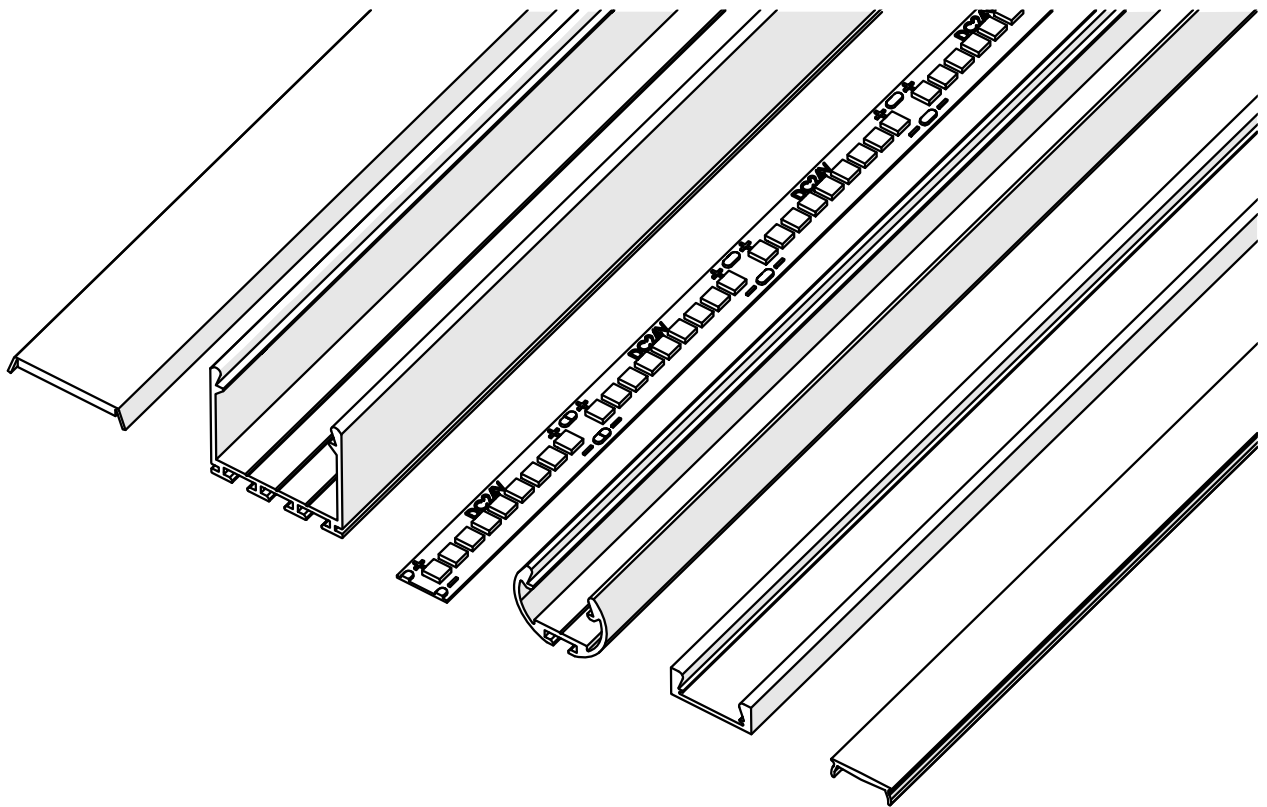
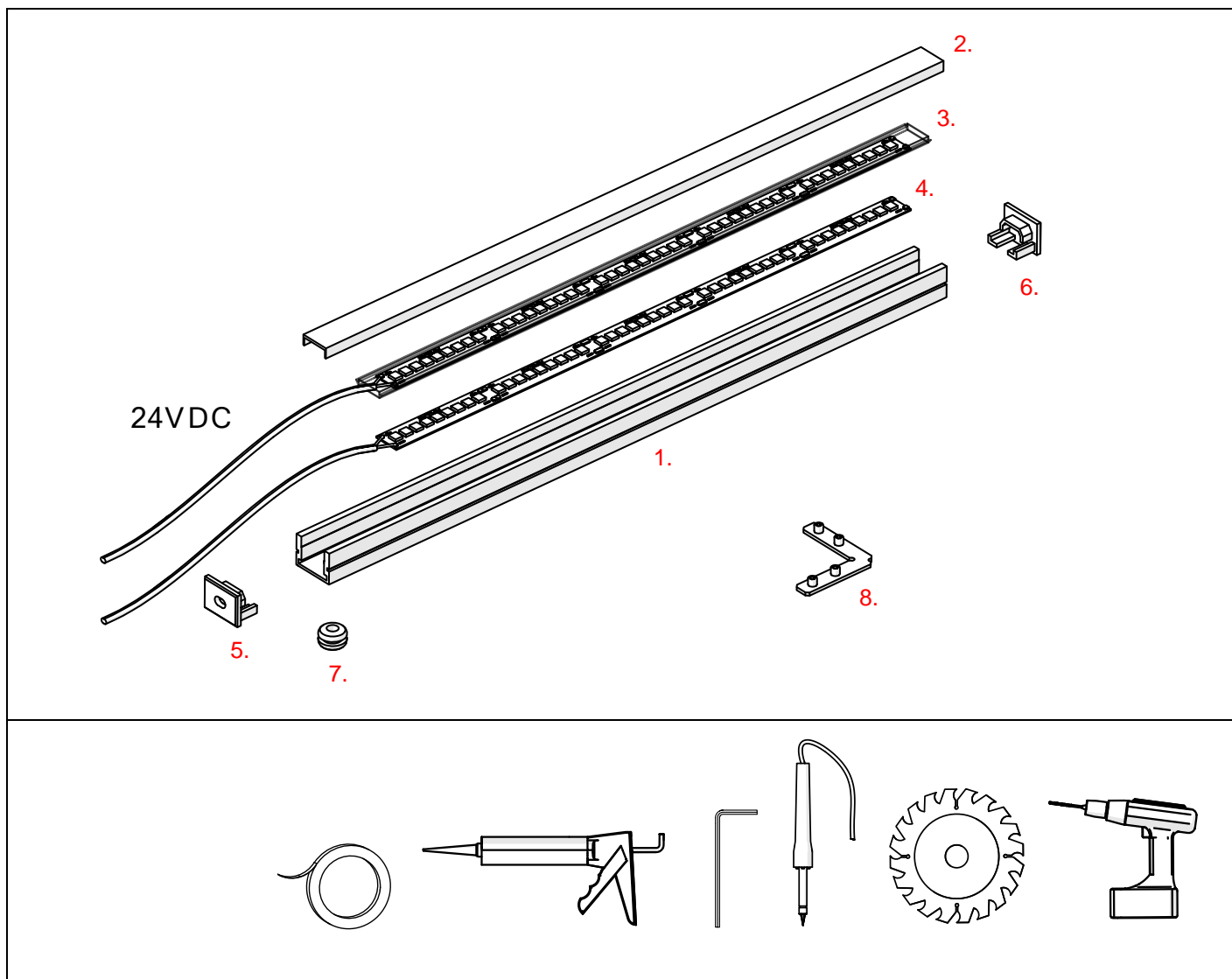


General instructions

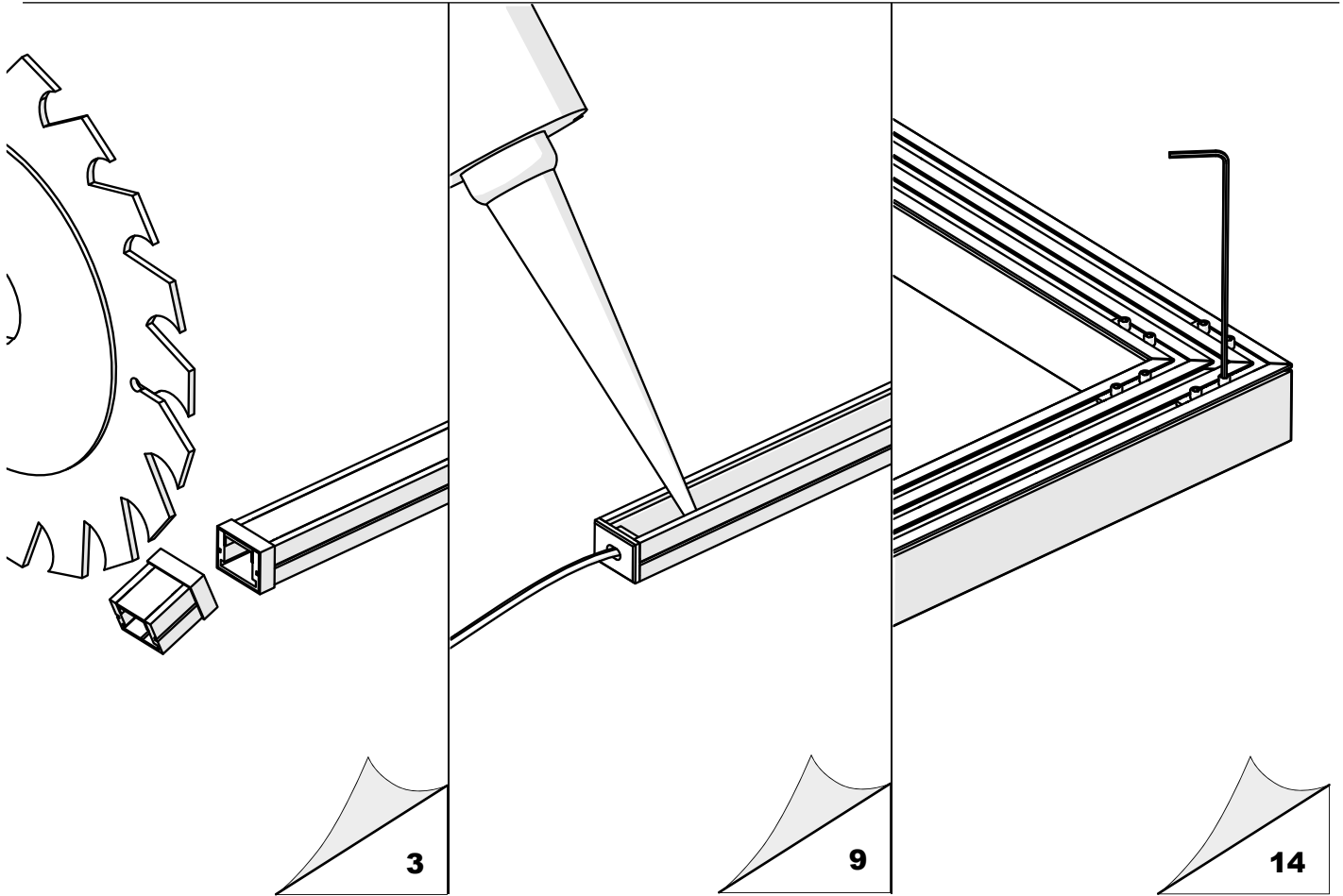




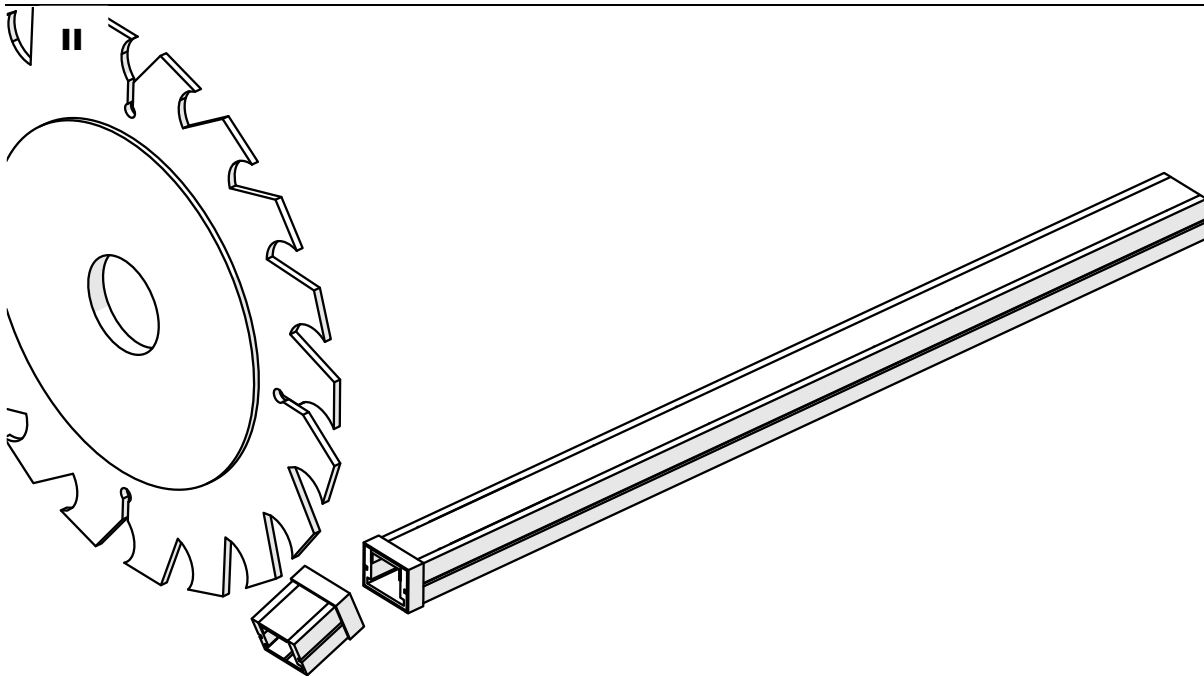
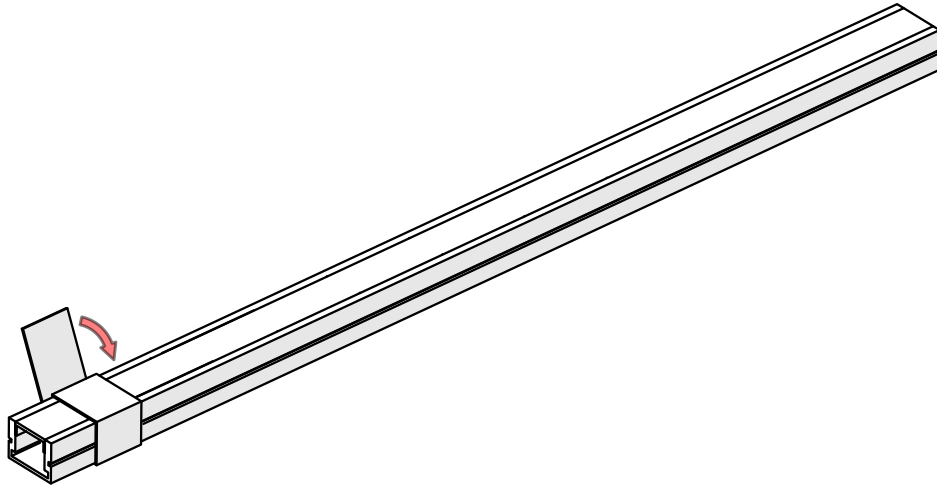
1. Profile*
2. Cover*
3. LED tape in silicone sleeve*
4. LED tape*
5. End cap with hole*
6. End cap*
7. Gland*
8. Connector ZM*

* The full range of accessories and electronics is available at www.KlusDesign.eu

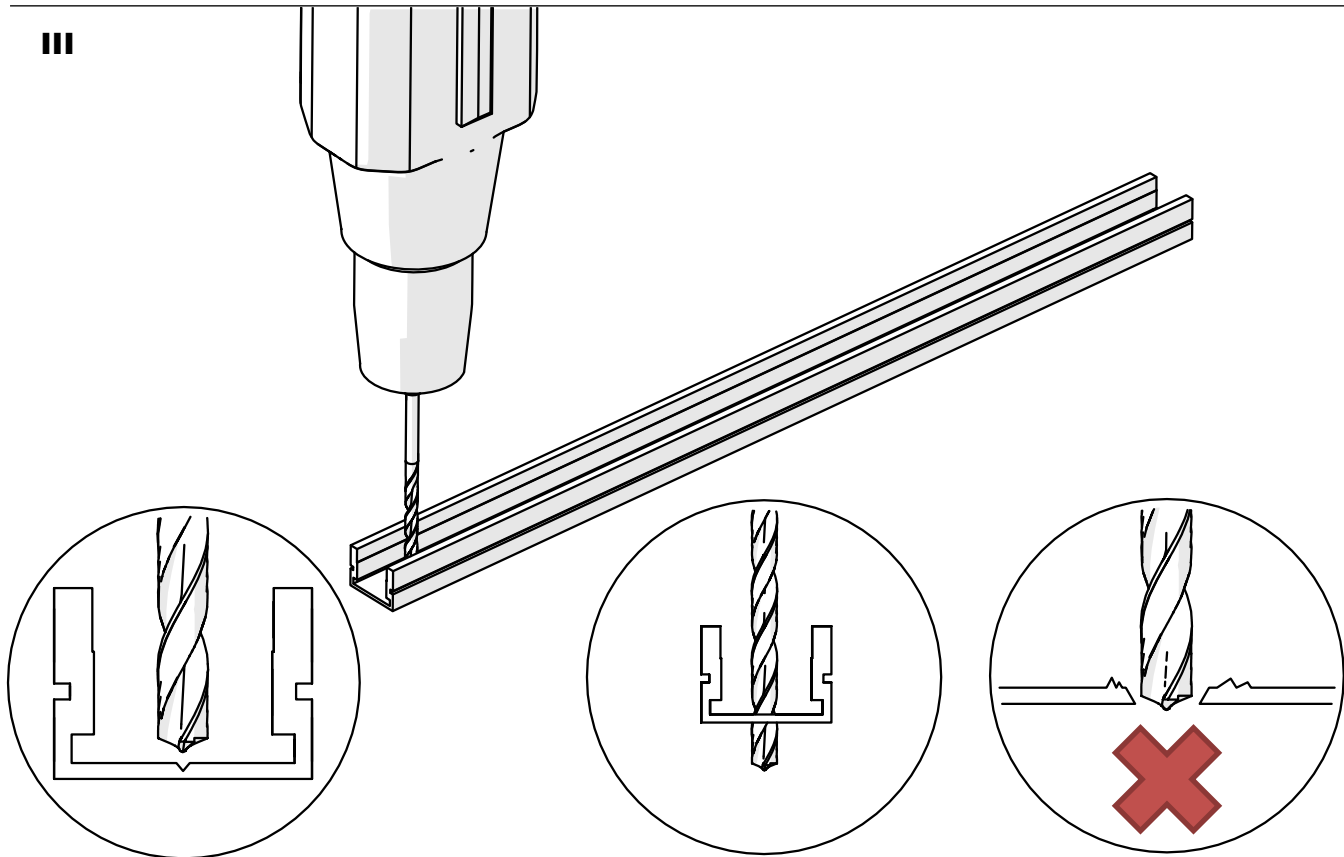
NOTE! Standard technological lengths of profiles in the KLUS offer:
 1000 mm (-/+1,5 mm) / 2005 mm (+5 mm) / 3010 mm (+5 mm)



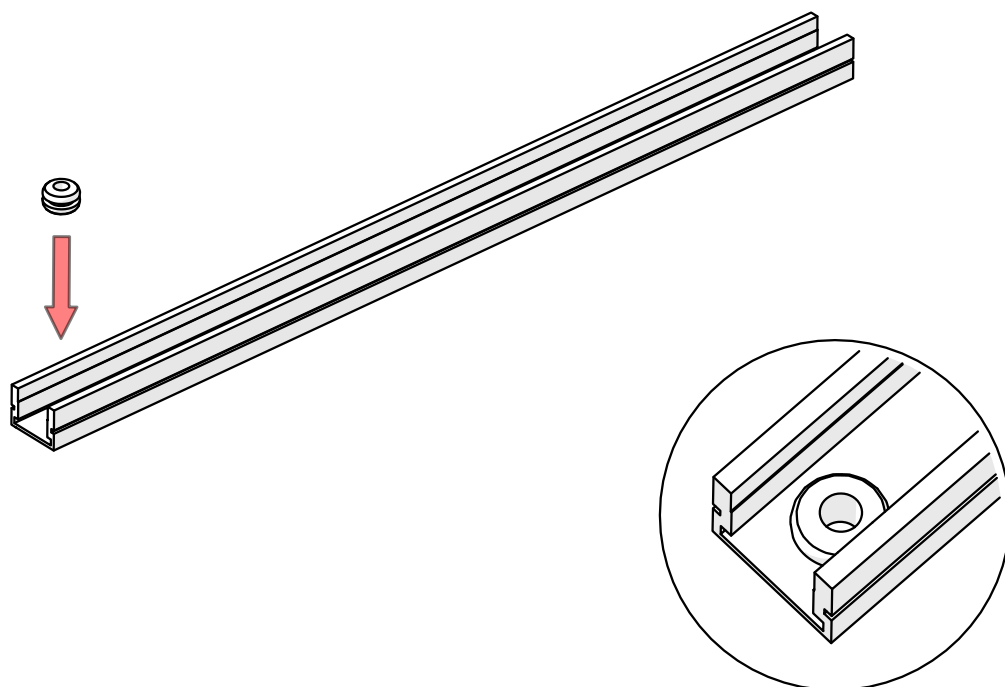
I



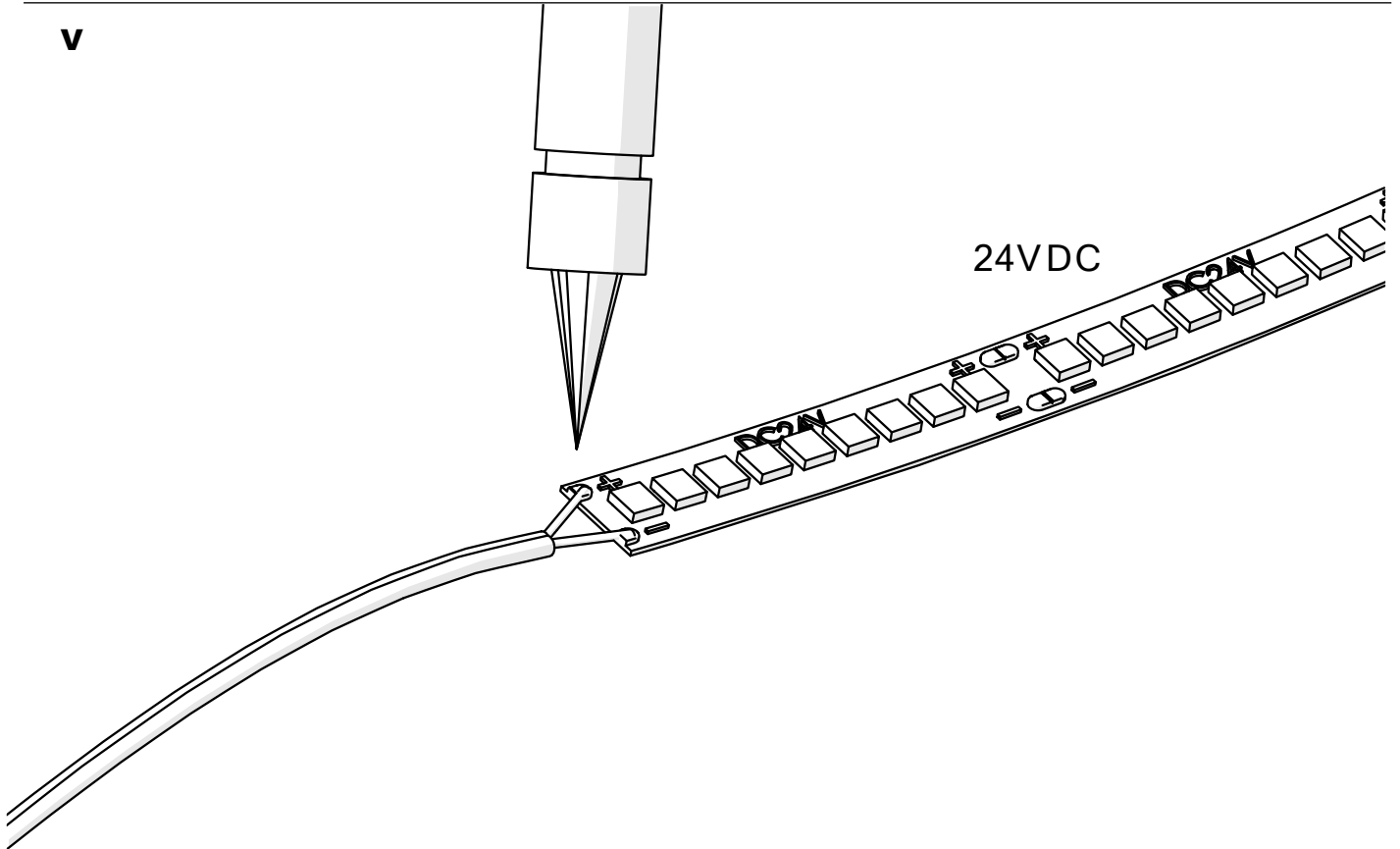
III



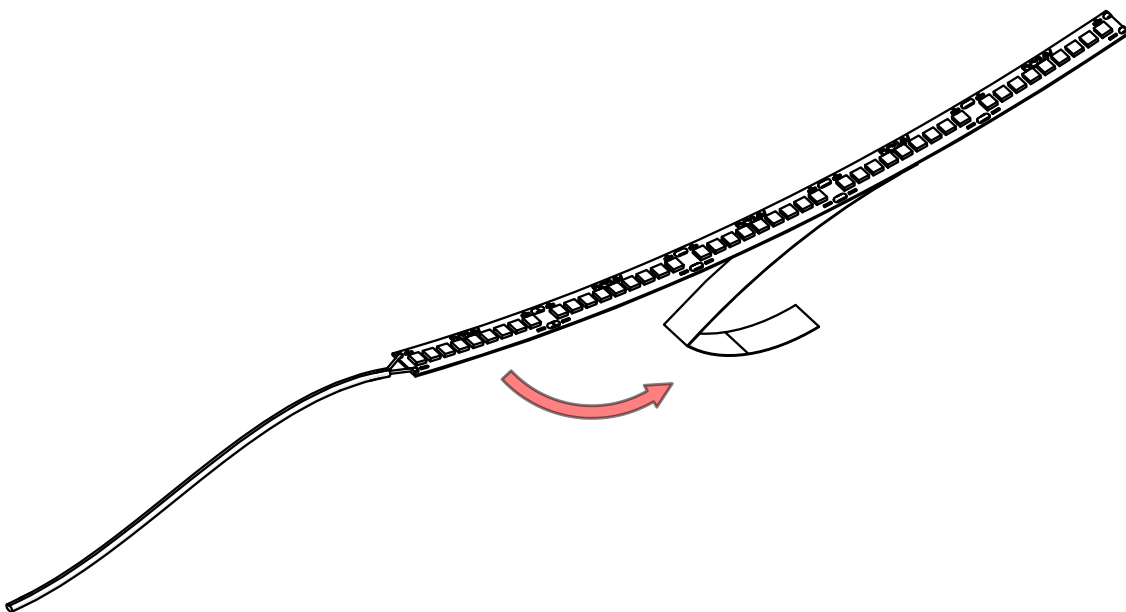
IV



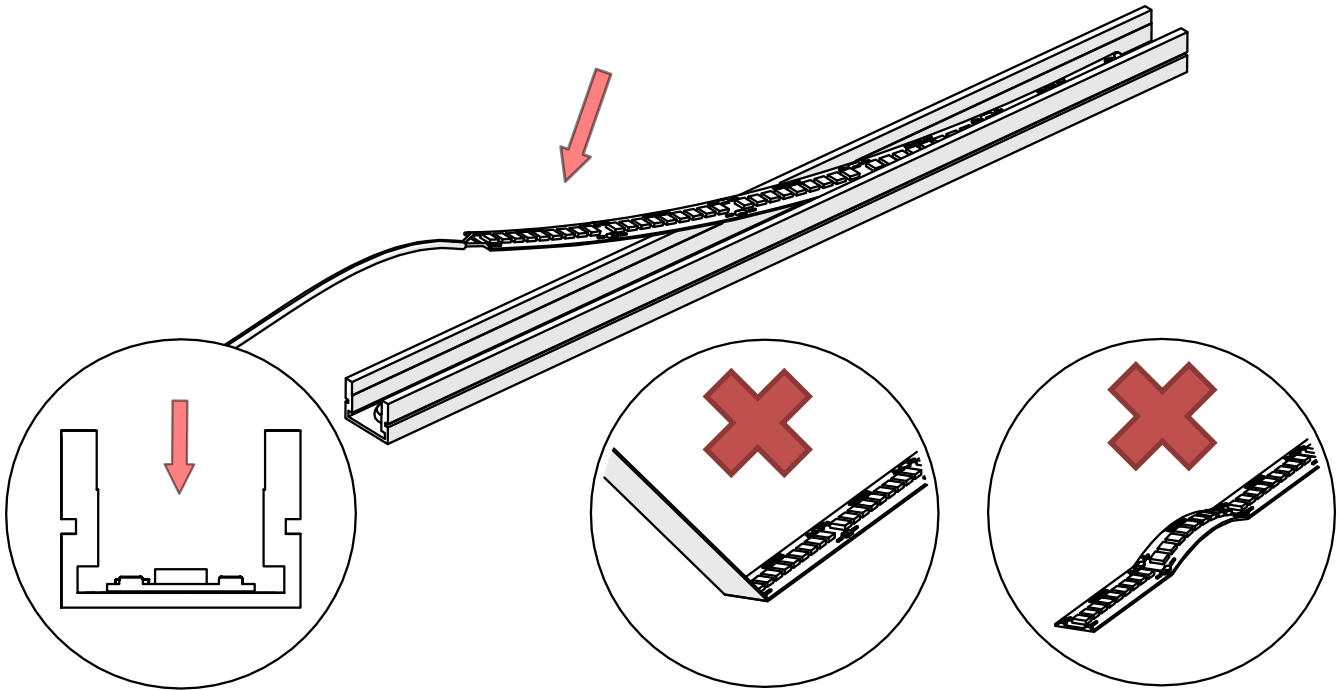
V



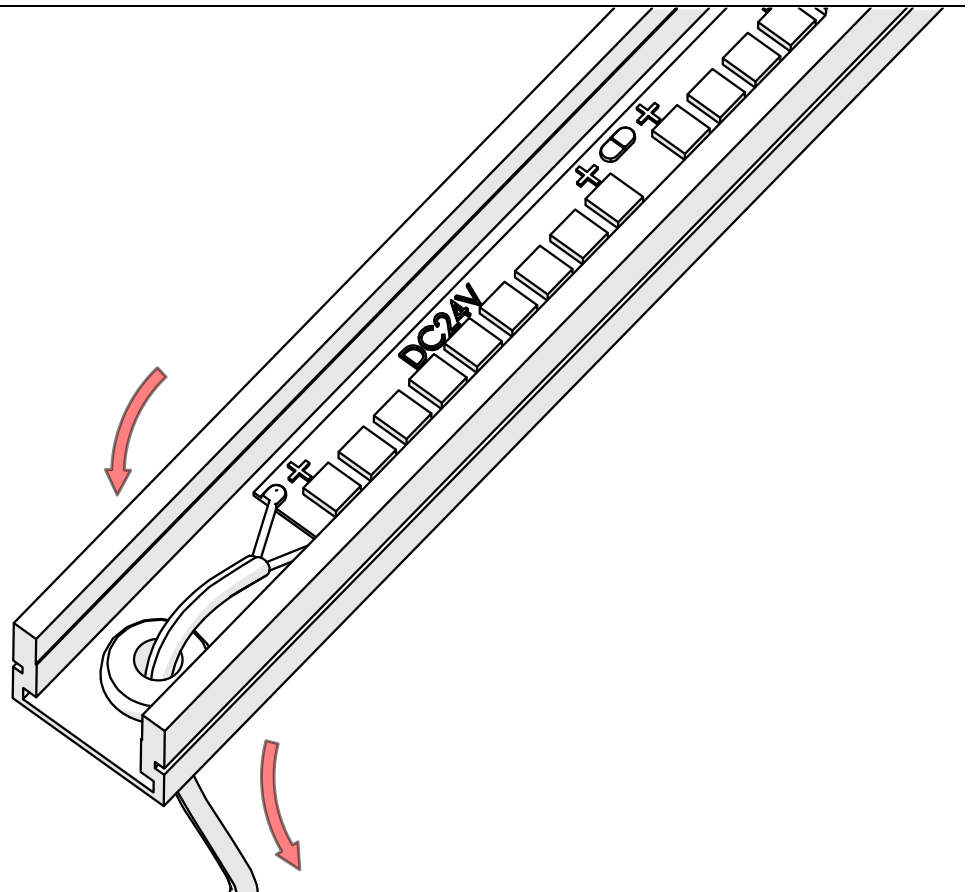
VI



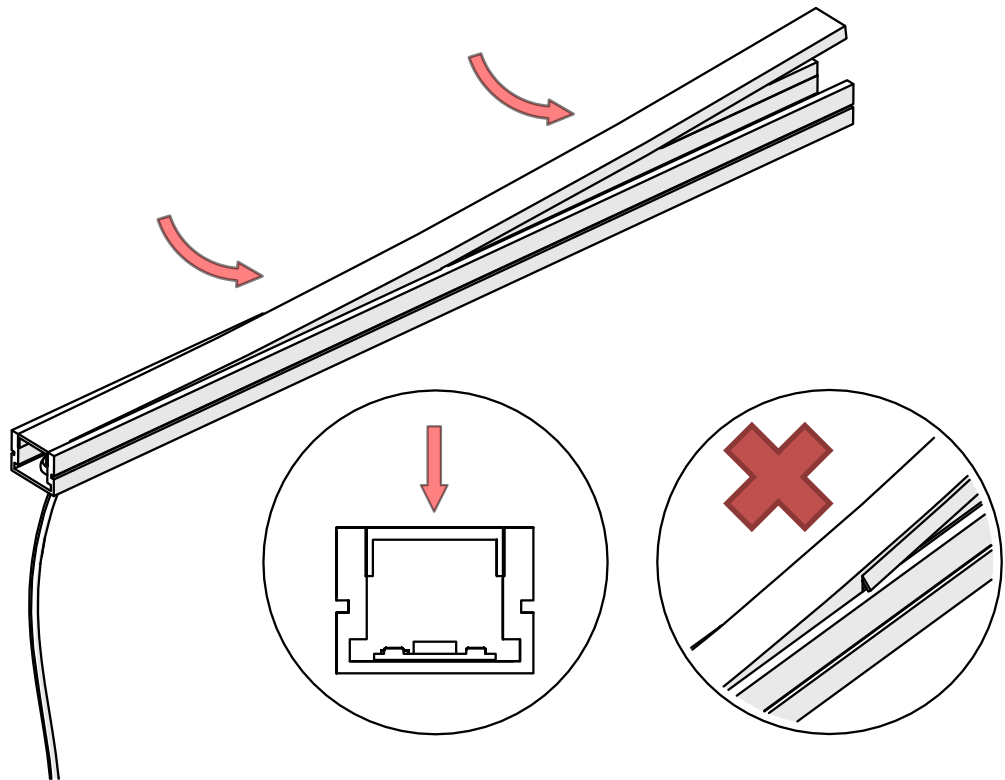
VII



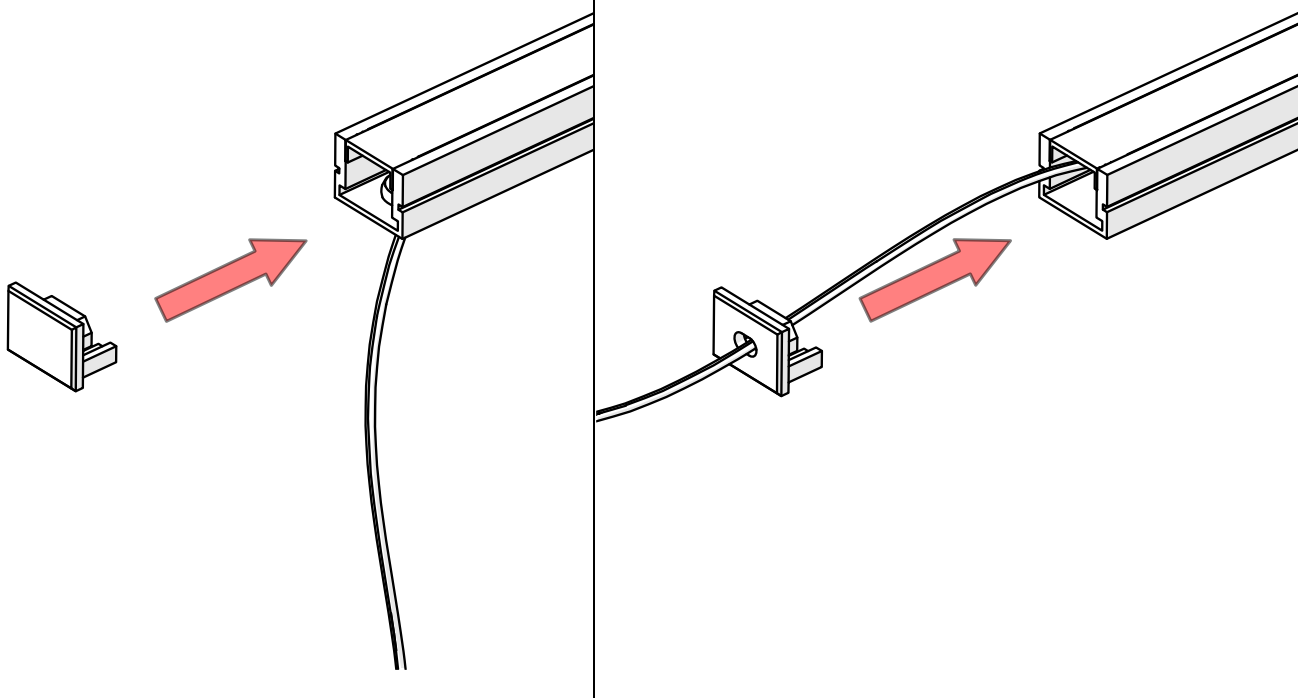
VIII



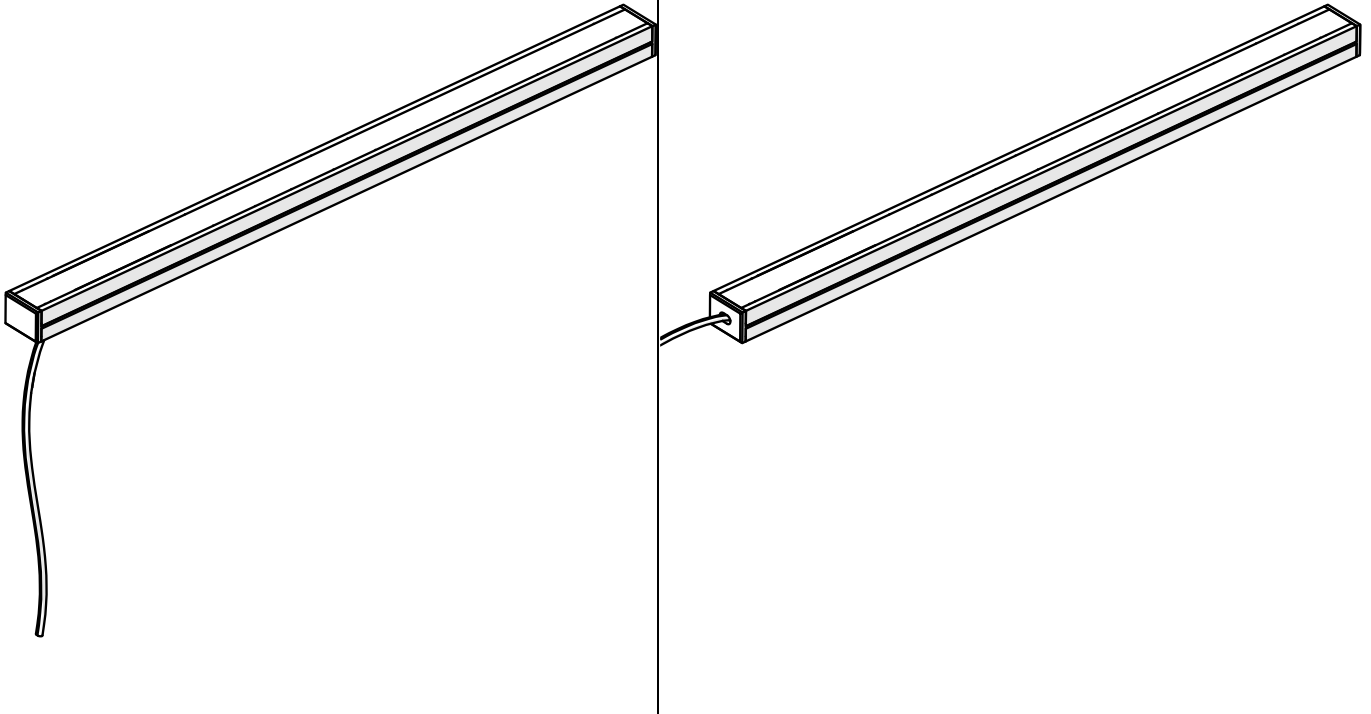
IX



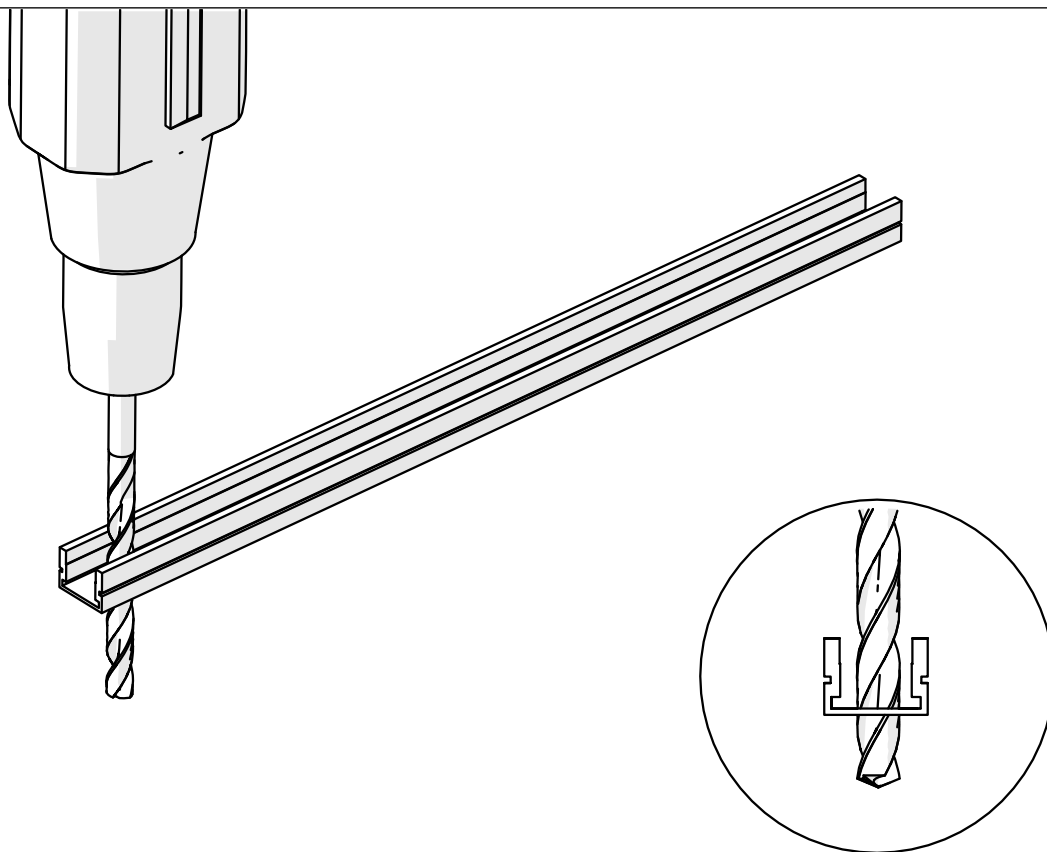
X



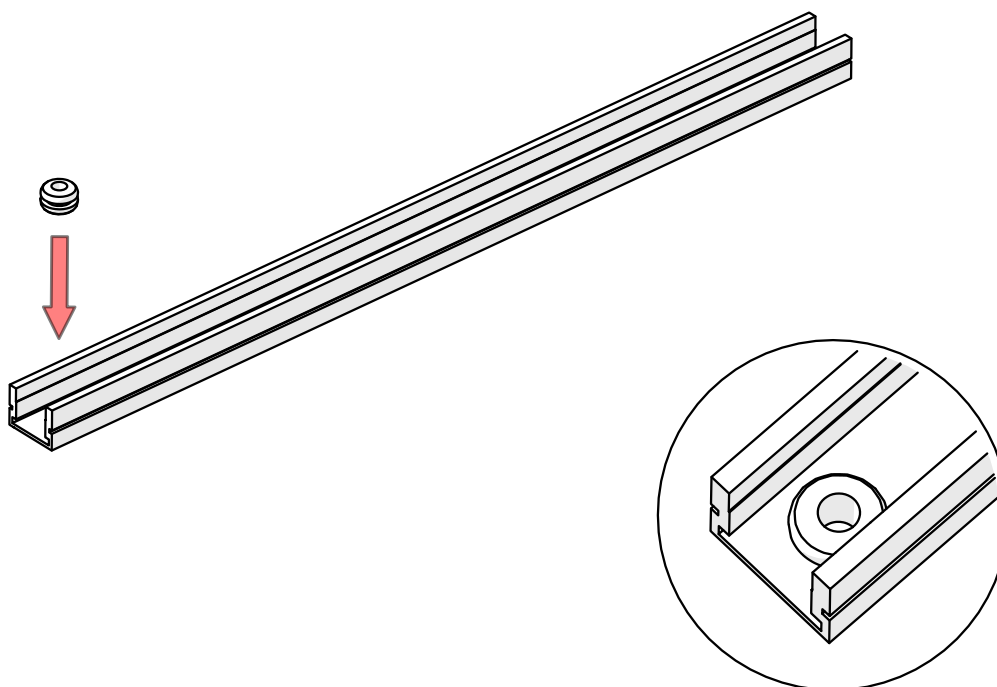
XI



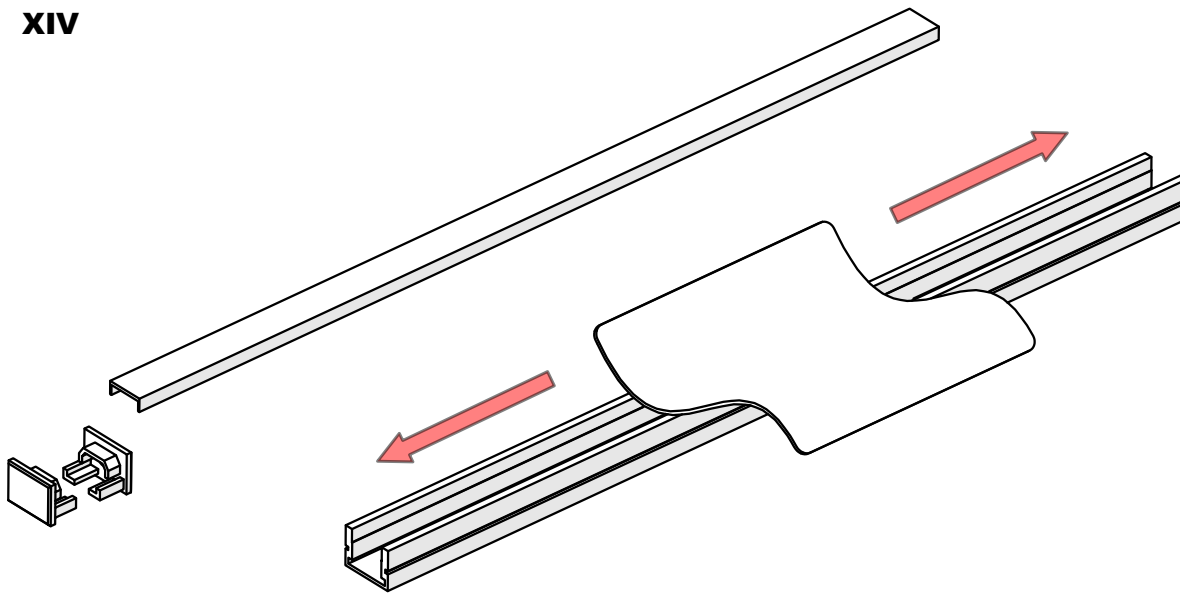
XII



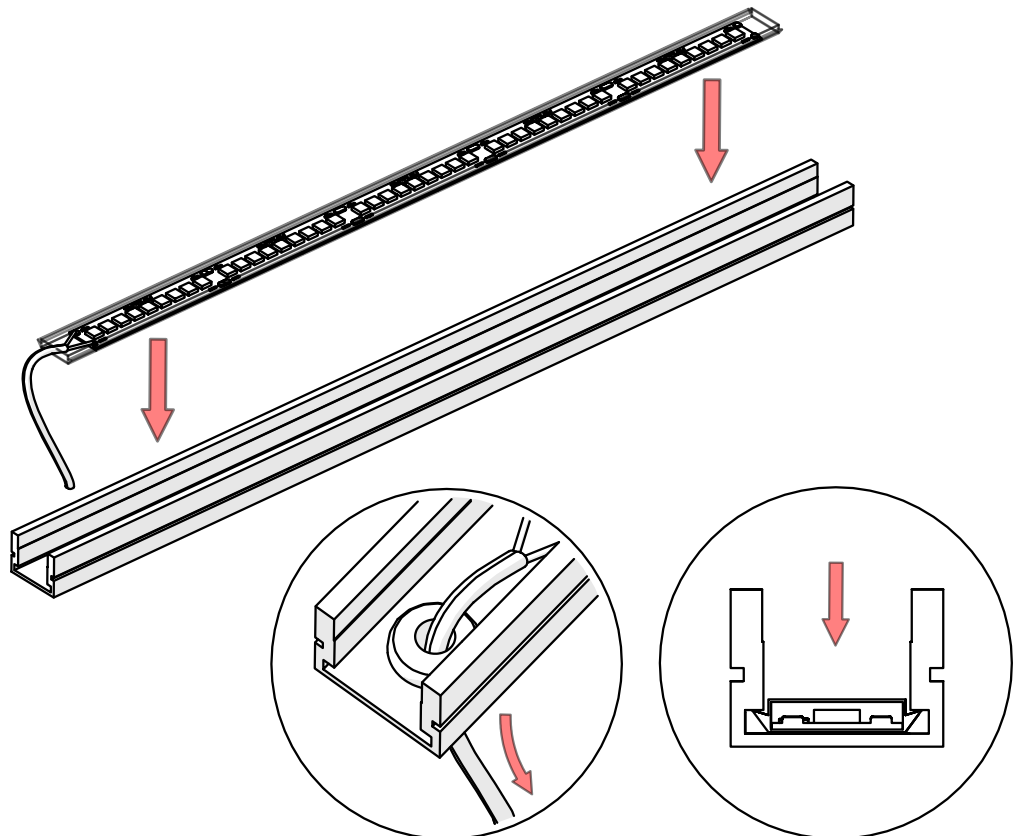
XIII



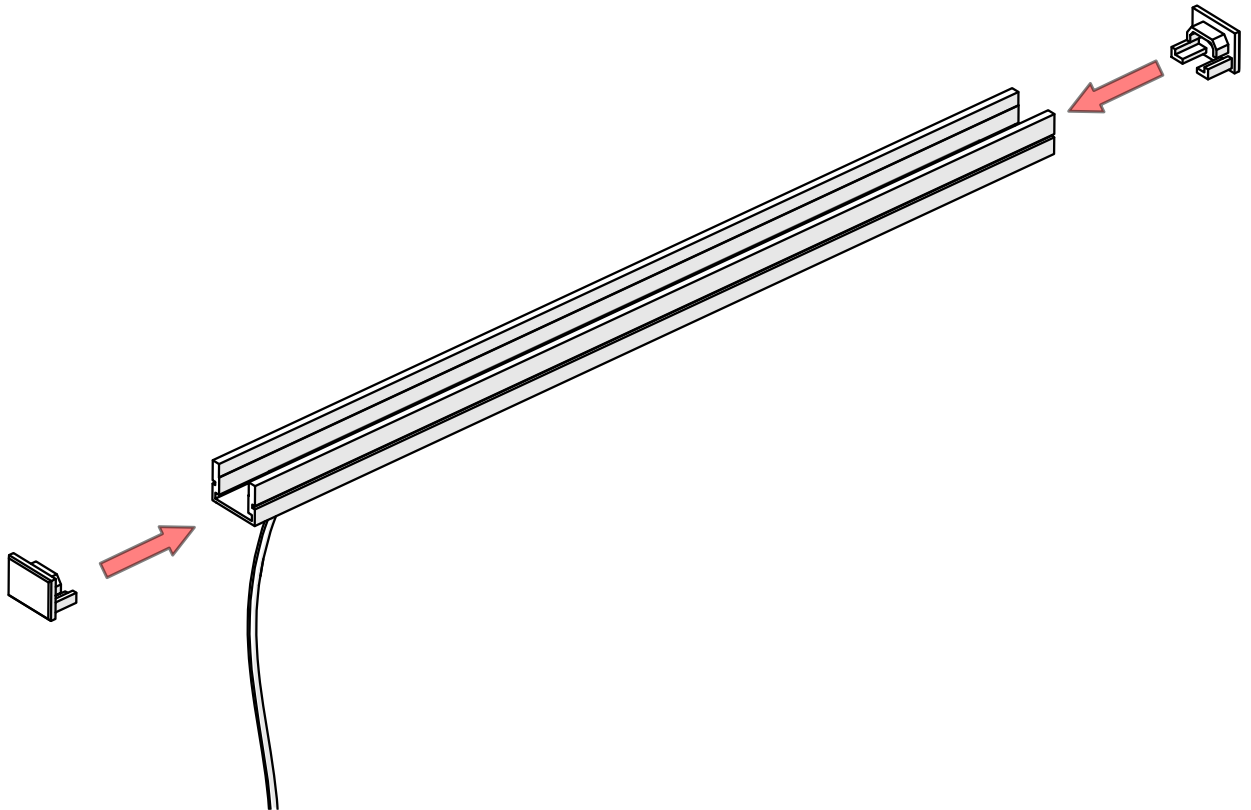
XIV



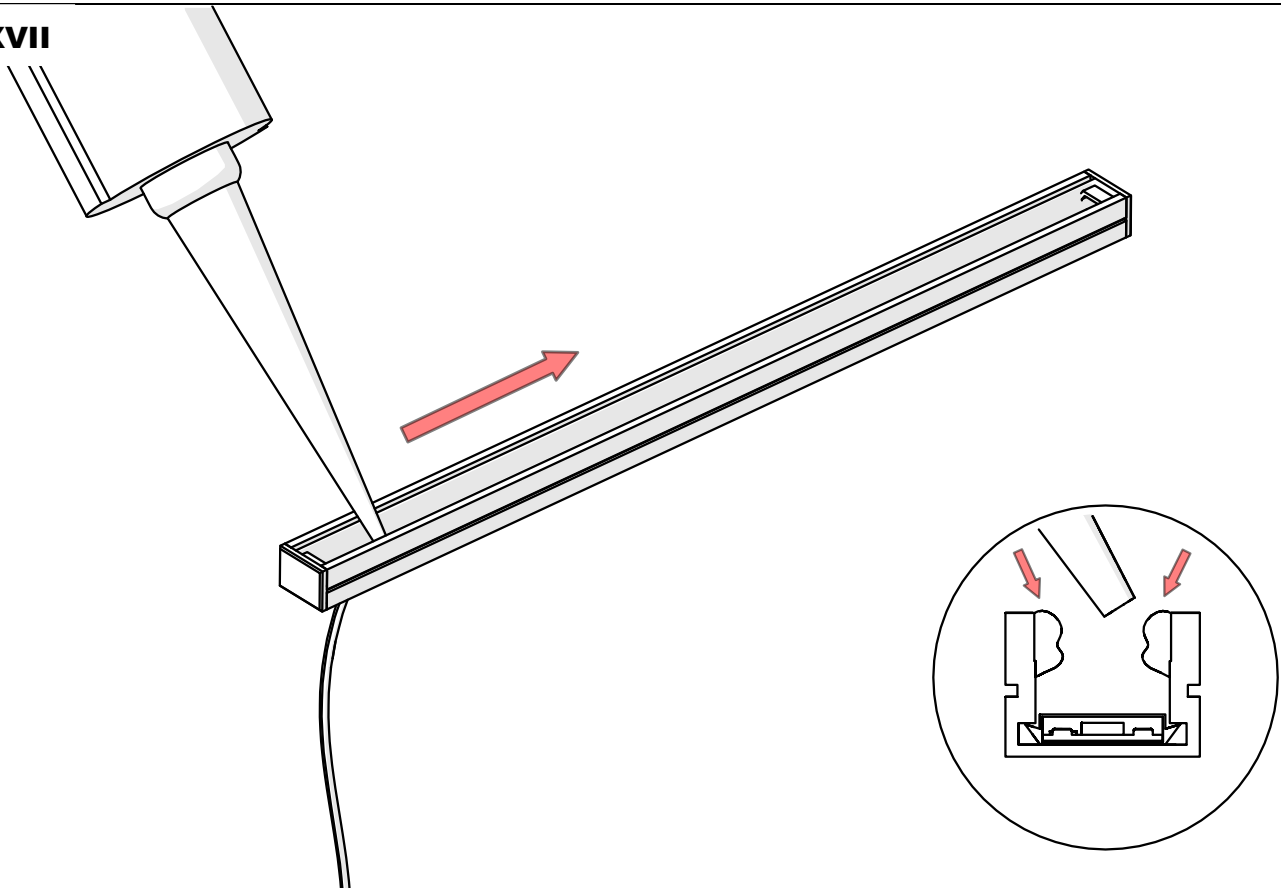
XV



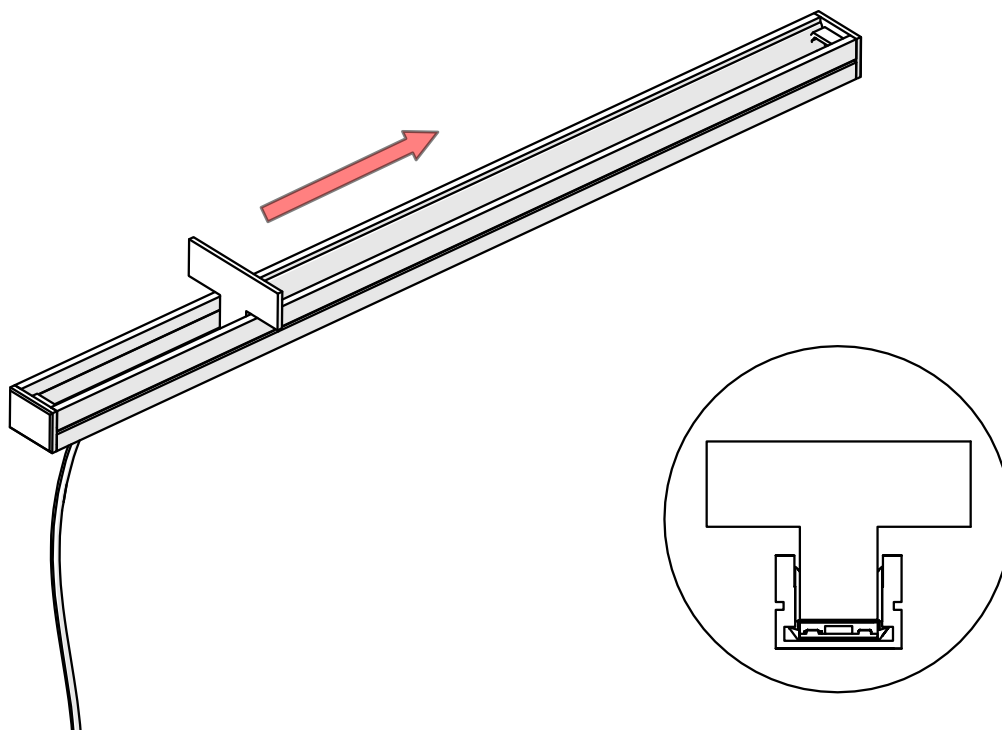
XVI



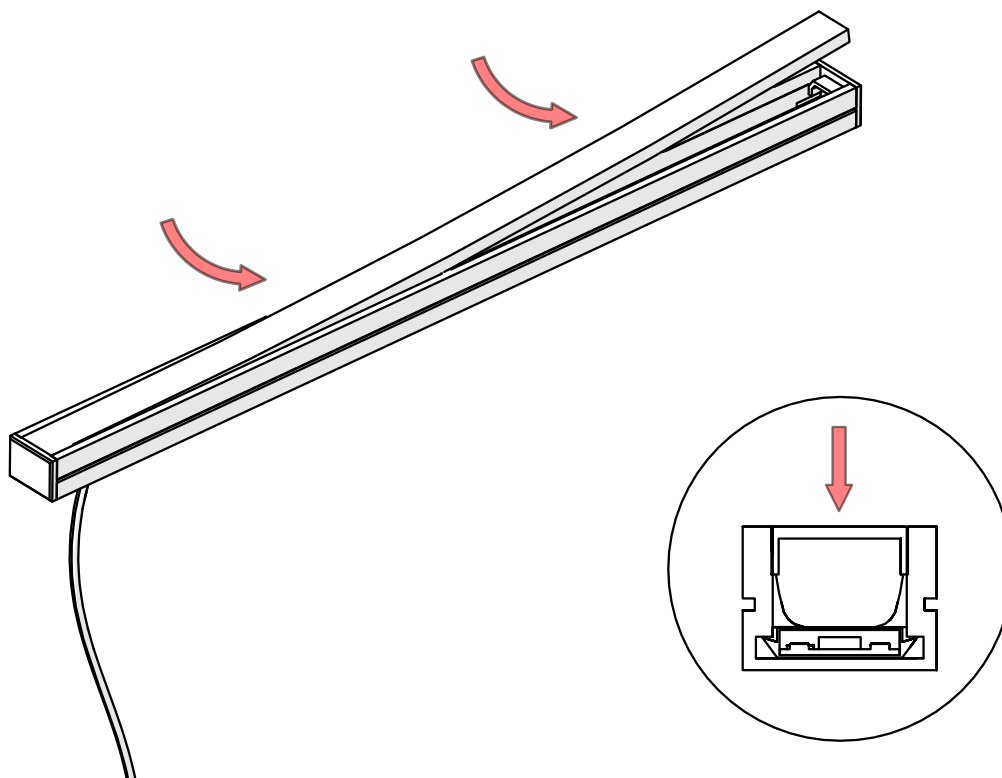
XVII



XVIII



XIX



XX

