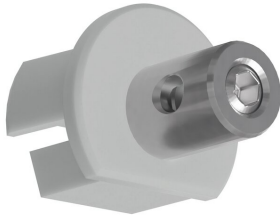


# Electricity conductive end cap OLEK

Ref. C28212

NEW



- Single pole conductivity possible
- Transverse suspension on a rod or cable
- Possibility to rotate the fixture after installation

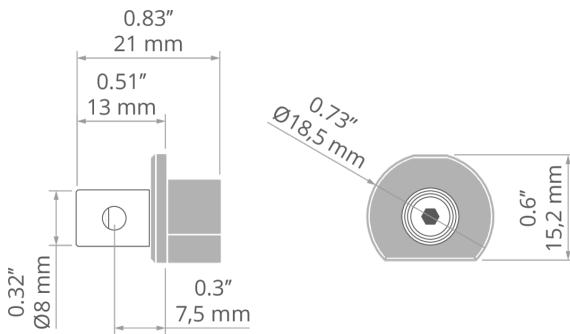
## APPLICATION

- aesthetic finish and protection of the interior of the lighting fixture

## MOUNTING

- to the profile, by pressing
- to a rod or cable, using a set bolt

## TECHNICAL DRAWING



## TECHNICAL SPECIFICATIONS

Material	ABS
Shape	semicircular
Height	15 mm
Width	21 mm
Maximum current	3.5 A
Voltage drop	0.1 V
Working temperature	55°C
Lifting capacity	5.5 kg
Lighting angle adjustment up to	360°
Conducting electricity	yes

Color	Ref
■ gray	C28212C02P
□ white	C28212C10P
■ black	C28212C07P

# Electricity conductive end cap OLEK

Ref. C28212

## SAMPLE PROJECTS

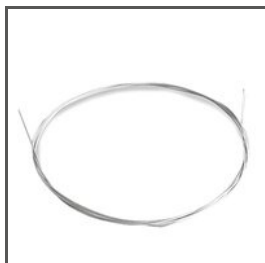


## RELATED PROFILES > UNIVERSAL

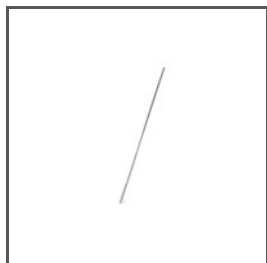


**OLEK**  
A08505

## RELATED ACCESSORIES > OTHER RELATED ACCESSORIES > WIRES AND RODS



STAINLESS STEEL WIRE  
**FI-1 1m**  
C24522N00



ROD  
**100 PUSZ 1 m**  
42518



WIRE  
**CU FI 0,95 mm**  
Z70240



ROD  
**FI-3-ALU**  
C28196A01, C28196A07