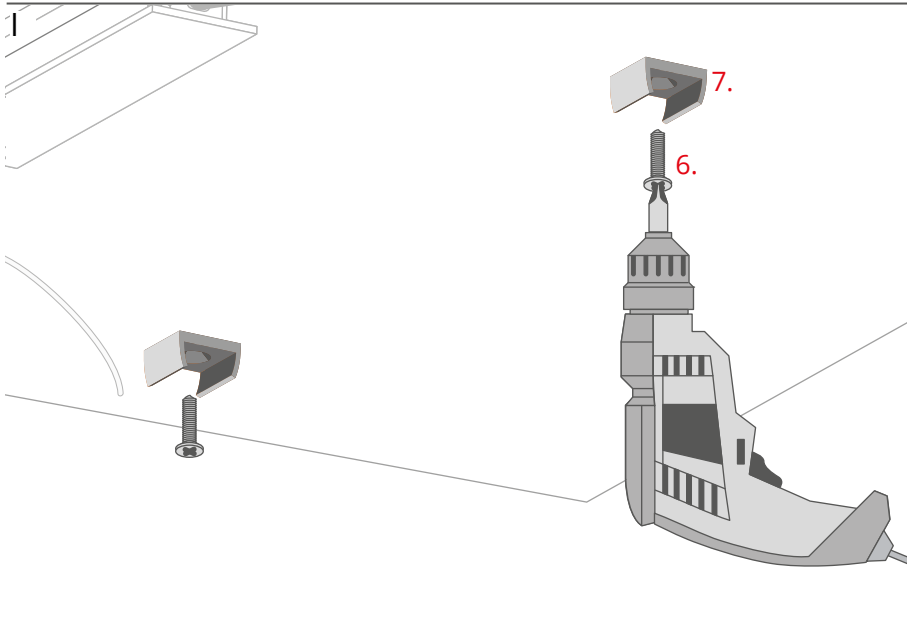


1. MICRO-PLUS profile (Ref. C2966)
2. LED strip*
3. End cap*
4. Cover*
5. End cap with hole*
6. Countersunk screw 6-8 mm / 0.24-0.31" - not included*
7. Mounting bracket*
8. Power supply (12 V / 24 V)*

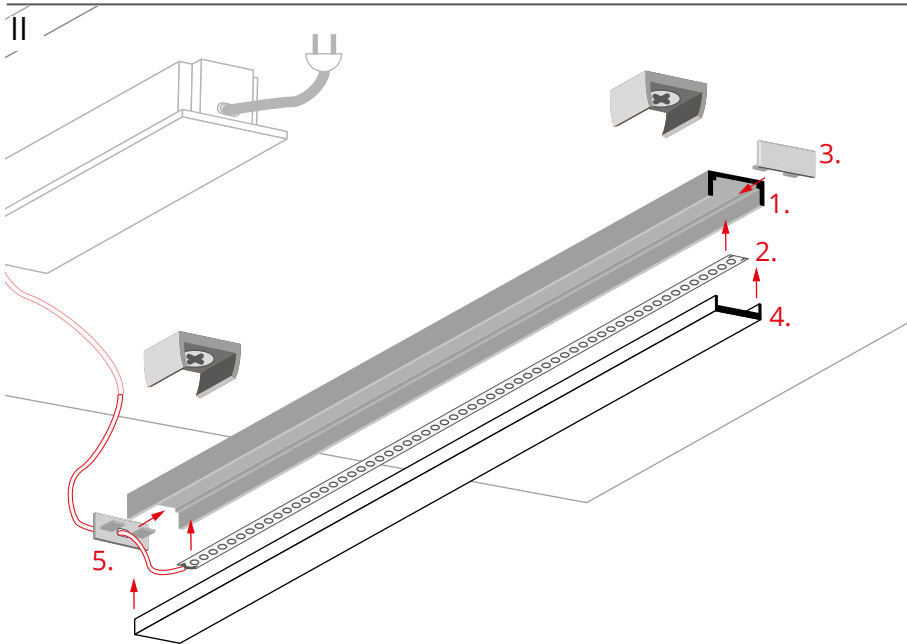
*The full range of accessories and electronics is available at www.KlusDesign.eu

NOTE! All LED tapes must be connected to a 12 V or 24 V power supply.

IMPORTANT: Not all possible mounting procedures are presented here. More mounting procedures and related accessories can be found at www.KlusDesign.eu. Drawings of extrusions and accessories in these instructions are simplified and only approximate the actual shapes.

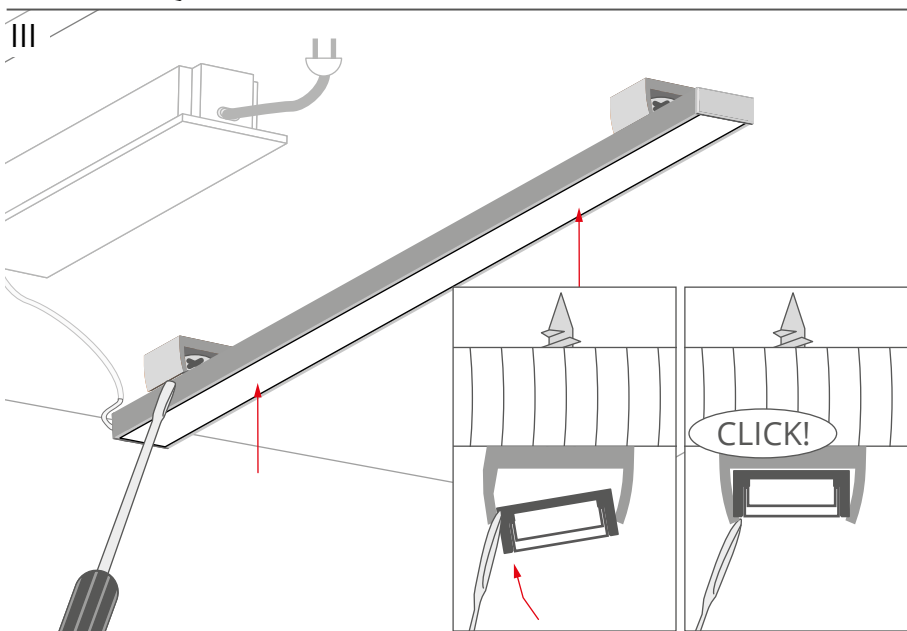


Attach the mounting bracket (7) to the surface with appropriate screws (6).



Mount the LED tape (2), end caps (3, 5) and the cover (4) in the MICRO-PLUS profile (1).

Lead the cable from the LED tape through the end cap with hole (5) and connect it to power supply 12 V / 24 V (8).



Snap the lighting fixture into the brackets.

To facilitate the procedure, use a small screwdriver to bend the bracket's flange outwards, before inserting the fixture.