

Electricity conductive end cap PIKO-O

Ref. C28223C7012

Ref. arch 42631



- Single pole conductivity possible
- Transverse suspension on a rod or cable
- Possibility to rotate the fixture after installation

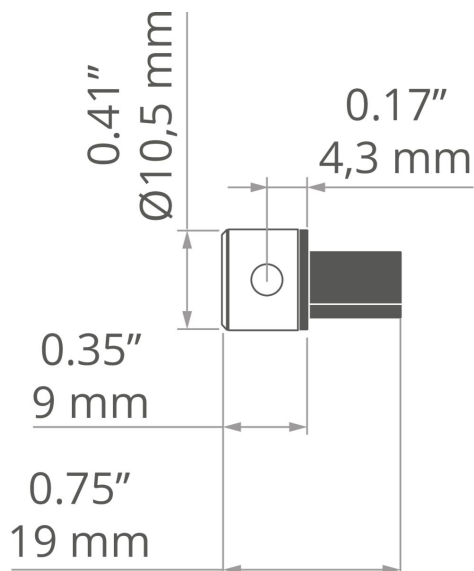
APPLICATION

- aesthetic finish and protection of the interior of the lighting fixture

MOUNTING

- to the profile, by pressing
- to a rod or cable, using a set bolt

TECHNICAL DRAWING



TECHNICAL SPECIFICATIONS

Material	ABS
Color	■ silver
Shape	round
Height	10.5 mm
Width	19 mm
Maximum current	2.5 A

Loss of voltage	0.08 V
Working temperature	60°C
Lifting capacity	19 kg
Lighting angle adjustment up to	360°
Conducting electricity	yes

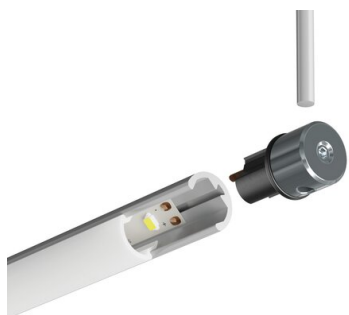
Electricity conductive end cap PIKO-O

Ref. C28223C7012

Ref. arch 42631

KLUŚ Inspiring
Solutions

SAMPLE PROJECTS



RELATED PROFILES > MINIMALISTIC



PIKO-O
A01167
Ref. arch C1167