

# Fastener PLD-10-WL

Ref. C28177N00

Ref. arch 42293



- Lengthwise suspension on a wire
- Continuous lighting angle adjustment
- Minimum dimensions

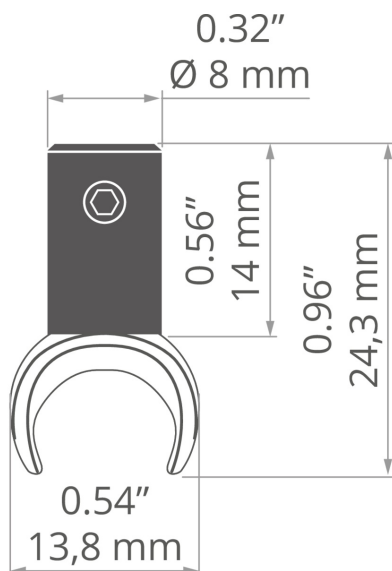
## APPLICATION

- for suspending LED lighting fixtures

## MOUNTING

- to the lighting fixture, using a mounting bracket
- to the wire with a pressure screw
- easy installation and deinstallation of lighting fixtures by snapping in and out

## TECHNICAL DRAWING



## TECHNICAL SPECIFICATIONS

Material	stainless steel, PC
Color	■ silver
Width	13.8 mm

Height	24.3 mm
Lifting capacity	6 kg

# Fastener PLD-10-WL

Ref. C28177N00

Ref. arch 42293

**KLUŚ** Inspiring  
Solutions

## SAMPLE PROJECTS



## RELATED PROFILES > MINIMALISTIC



### PIKO-O

A01167

Ref. arch C1167

## RELATED ACCESSORIES > OTHER RELATED ACCESSORIES > WIRES AND RODS



WIRE

**0,5 mm**

Z70499

Ref. arch 70499