

Mounting bracket PLD-10

Ref. C24375C00

Ref. arch 24375



- Continuous lighting angle adjustment
- Invisible mounting bracket
- Minimum dimensions

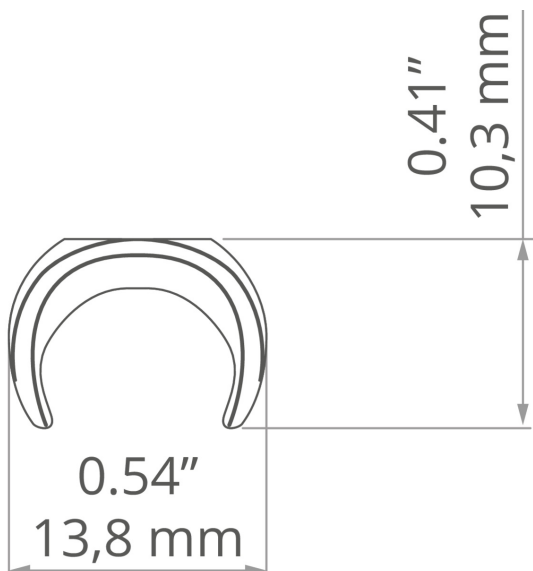
APPLICATION

- for mounting LED lighting fixtures

MOUNTING

- to the surface, using a properly selected screw
- to the lighting fixture, with hooks
- use screws with a countersunk head and a diameter of no more than 3 mm
- easy installation and deinstallation of lighting fixtures by snapping in and out

TECHNICAL DRAWING



TECHNICAL SPECIFICATIONS

Material	PC
Color	transparent non colored
Width	13.8 mm

Height	10.3 mm
Lifting capacity	10 kg

Mounting bracket PLD-10

Ref. C24375C00

Ref. arch 24375

RELATED PROFILES > MINIMALISTIC



PIKO-O

A01167

Ref. arch C1167