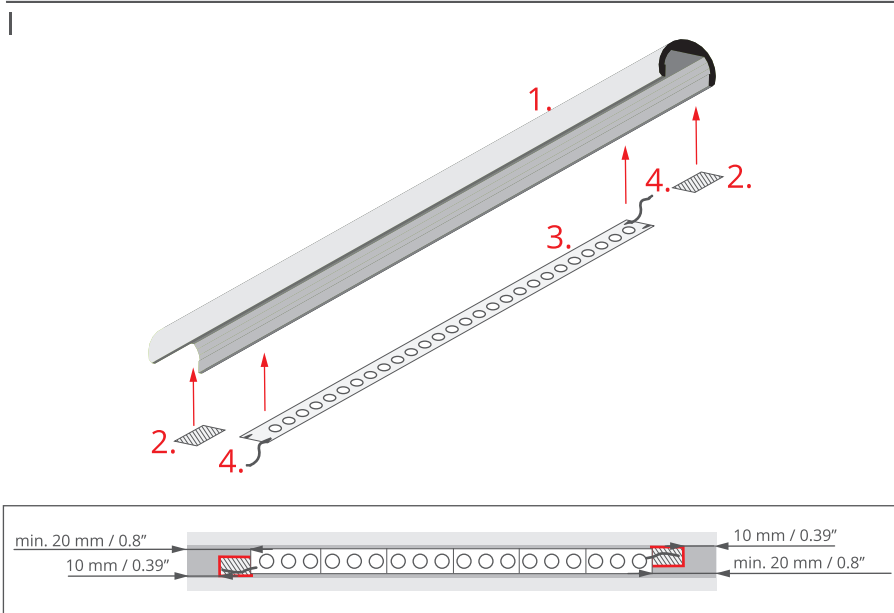


1. PIKO-O extrusion (Ref. C1167)
2. Insulation
3. LED strip*
4. Power cable
5. Conductive end cap*
6. Cover*
7. Wire*
8. Conductive fastener*
9. Power supply 12 V or 24 V*

*The full range of accessories and electronics is available at www.KlusDesign.eu

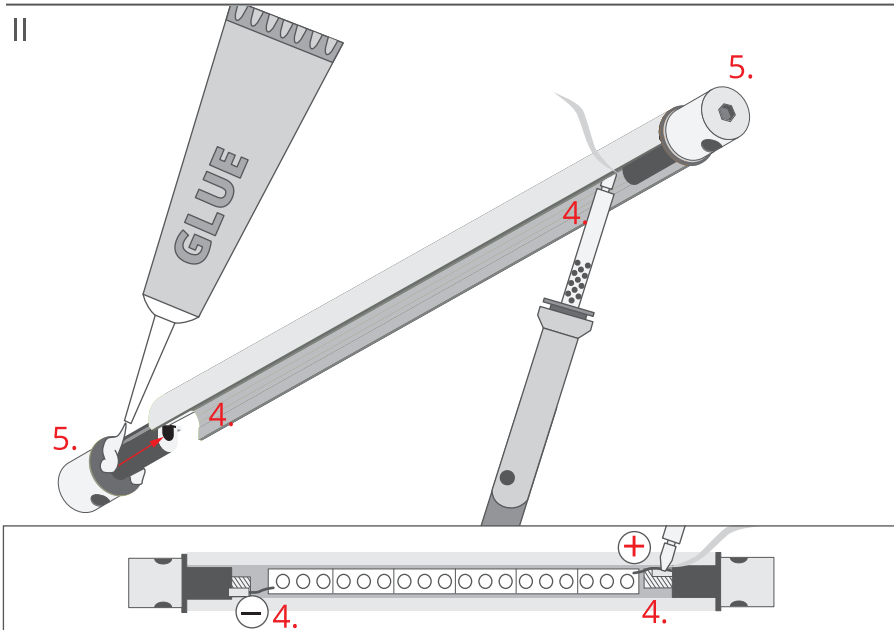
NOTE! All LED strips must be connected to a 12 V or 24 V power supply.

IMPORTANT: Not all possible mounting procedures are presented here. More mounting procedures and related accessories can be found at www.KlusDesign.eu. Drawings of extrusions and accessories in these instructions are simplified and only approximate the actual shapes.



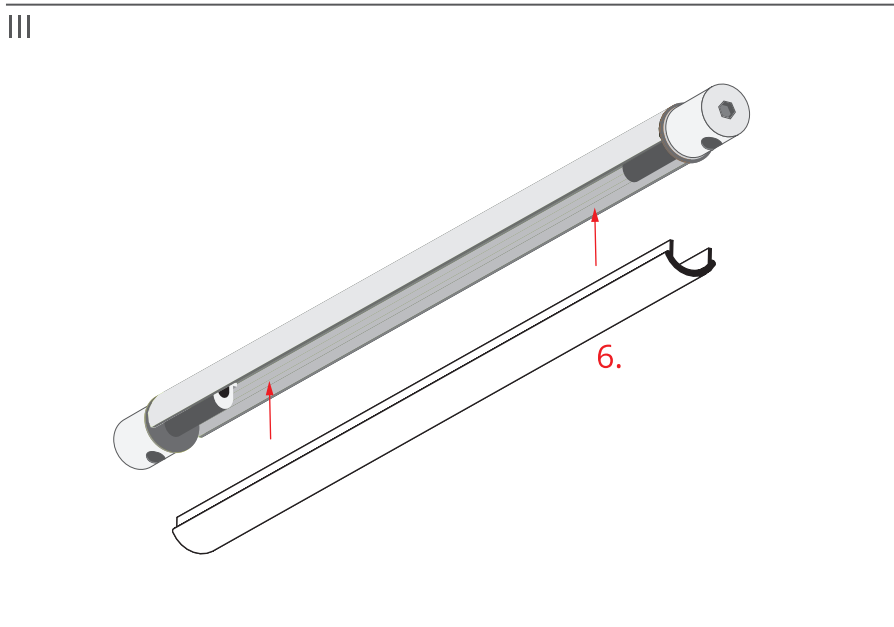
Adhere the LED strip (3) and the insulation (2) in the PIKO-O profile (1). Place the insulation under the terminals of the LED strip power cables (4).

Leave min. 20 mm / 0.8" between the ends of the strip and the ends of the extrusion. The edge of the insulation must be 10 mm / 0.39" from the edge of the extrusion.

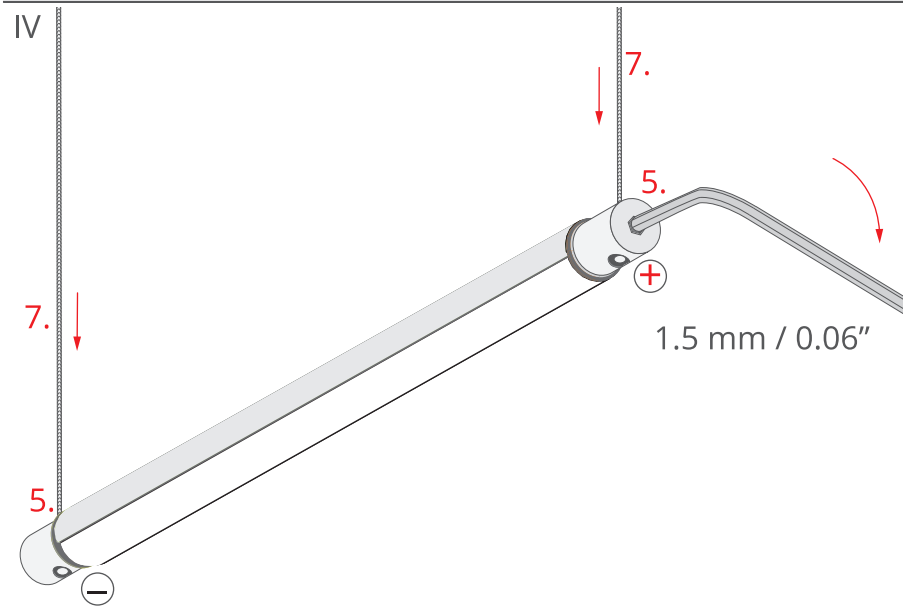


Glue the end caps in the PIKO-O extrusion (5).

Solder the power cables (4) to the tabs in the end caps. The tabs of the end caps must be above the insulation.

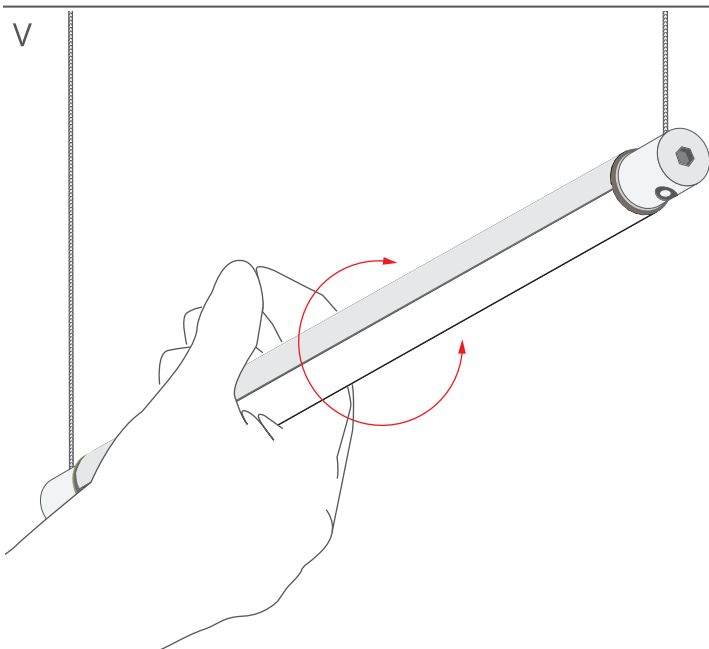


Attach the cover (6) to the extrusion.

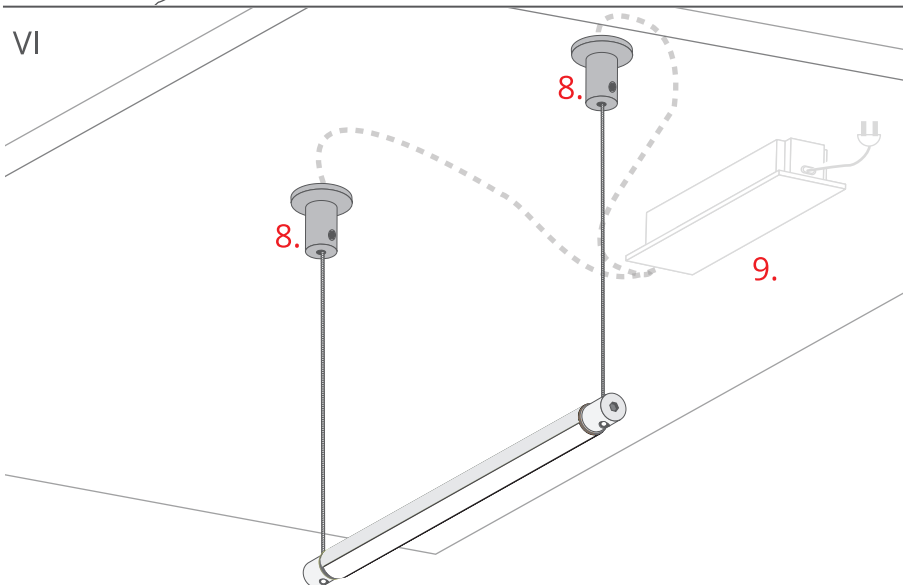


Put the fixture on the suspension wires (7).

Lock the end caps to the wires by tightening the screws with an Allen wrench (1.5 mm / 0.06").



The lighting direction of the lighting fixture is adjustable 360 degrees.



Mount the lighting fixture to the conductive fasteners (8).

Run the cables to the power supply 12 V or 24 V (9).

(More on the fasteners at www.KlusDesign.eu).