

UNDERWATER LED NEON STRIP 13×13mm

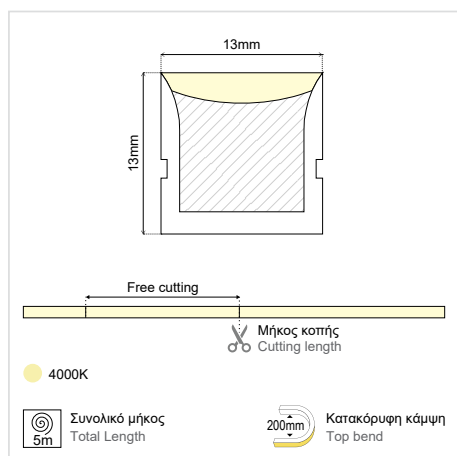
7W/m 4000K 24V IP68 CRI90

ΠΕΡΙΕΧΟΜΕΝΑ | CONTENTS

SKU: 36010805-021

Datasheet	1
Dimensions / Diagram	2
Light Distribution Diagram	2
Installation	3
Connection	3
Notice	4

DATASHEET



GENERAL INFORMATION

APPLICATION:	Underwater
CABLE INCLUDED:	Yes
IP RATING:	IP68 (Max. 3m underwater)
IK RATING:	IK08
JACKET:	White Jacket
BEND STYLE:	Top bend
BEND RADIUS:	>100mm
OPERATING AMBIENT:	Ta:-20~45°C
LIFETIME:	50000 hours (L70@ Tc≤65°C, Tc is the temp. of LED pin)
WARRANTY:	5 years
ORIGIN:	PRC

DIMENSIONS / WEIGHT

DIMENSIONS (W×H):	13 × 13 mm
TOTAL LENGTH:	5m
CUTTING LENGTH:	Free cutting
MAX BEND DIAMETER:	200mm
PRODUCT N.W.:	1.03kg
PRODUCT QTY/CARTON:	5pcs
CARTON TOTAL G.W.:	7.7kg

ILLUMINANT

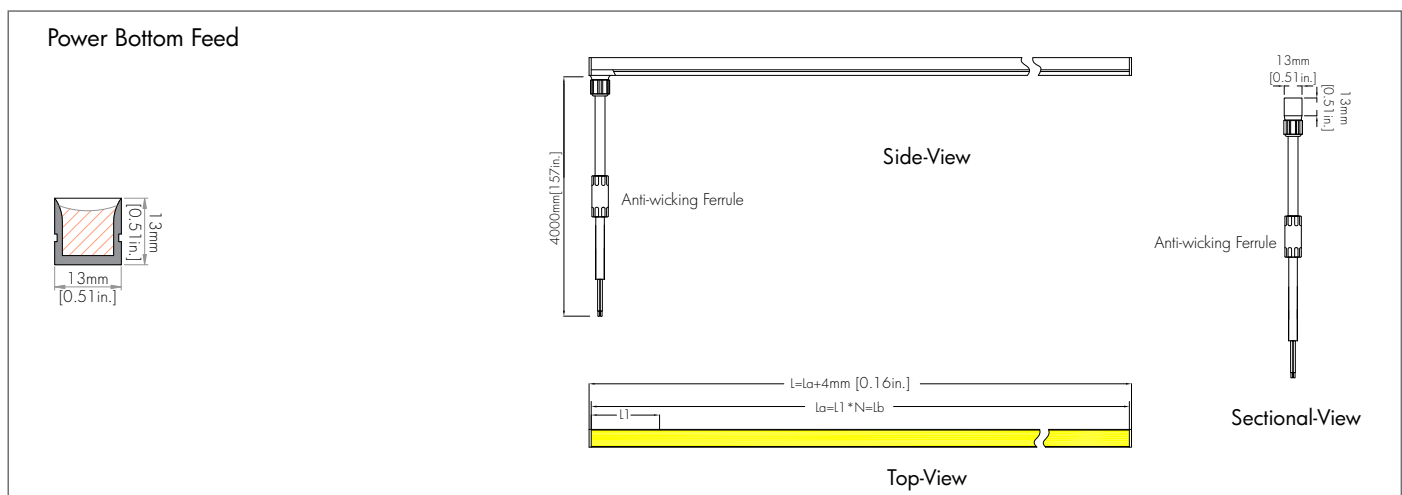
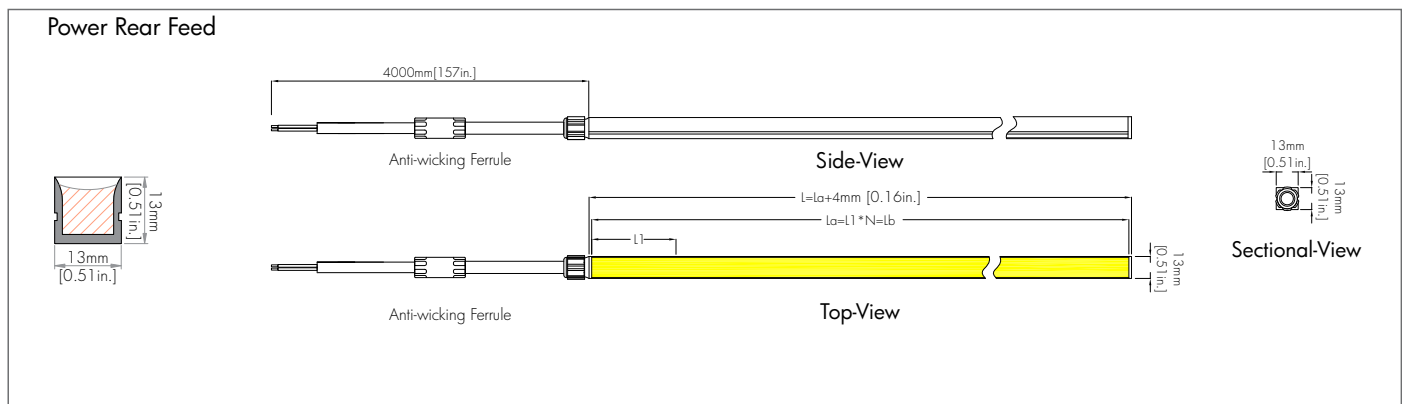
LED TYPE:	2835 SMD
LED QUANTITY:	120 LEDs/m
VOLTAGE:	24VDC
WATTAGE:	7 W/m
CCT:	4000K ±300K
SDCM:	3-Step
CRI:	Ra>90
BEAM ANGLE:	120D
LUMINOUS FLUX:	480 lm/m±10%
LIGHT EFFICIENCY:	69 lm/W



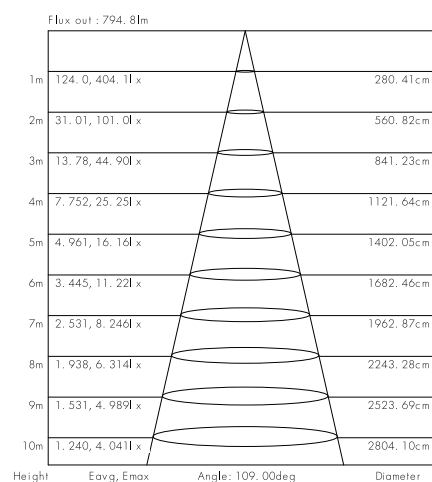
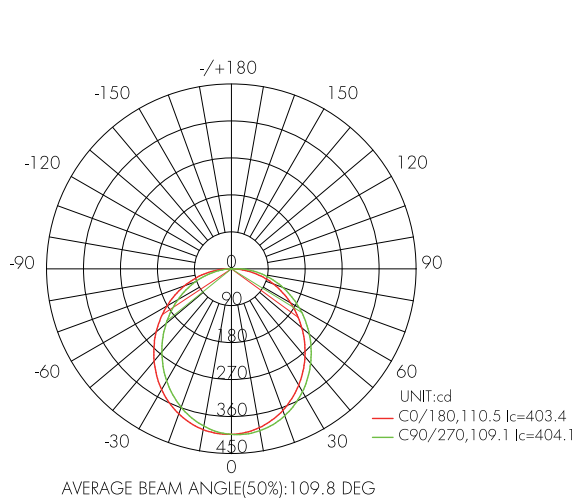
UNDERWATER LED NEON STRIP 13×13mm

7W/m 4000K 24V IP68 CRI90

DIMENSIONS / DIAGRAM



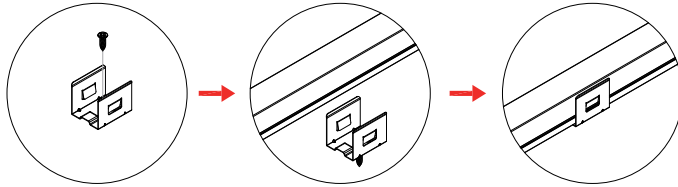
LIGHT DISTRIBUTION DIAGRAM



UNDERWATER LED NEON STRIP 13×13mm 7W/m 4000K 24V IP68 CRI90

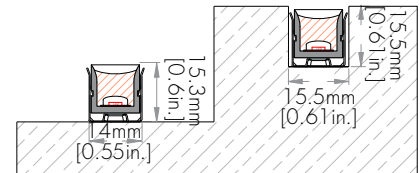
INSTALLATION

Fixed by bracket and screw



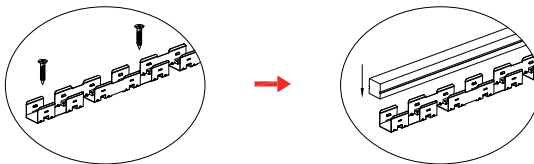
Note: Silver color is standard; white color is optional.

Space & Groove are shown as below



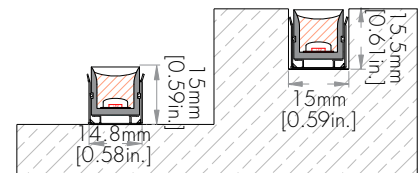
Surface & Recessed mounting

Fixed by bendable bracket



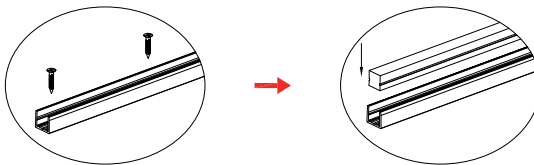
Note: Silver color is standard; white color is optional and shipped in 1M[3.94ft.] per piece.

Space & Groove are shown as below

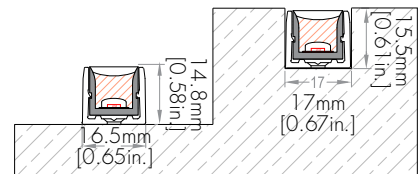


Surface & Recessed mounting

Fixed by PC channel



Space & Groove are shown as below



Surface & Recessed mounting

CONNECTION

White (Non-dimmable status)



UNDERWATER LED NEON STRIP 13×13mm 7W/m 4000K 24V IP68 CRI90

NOTICE

1. Adopt suitable power supply with power is 20% higher than the max. power of luminary, to ensure long time performance of power supply.
2. Do not install it when power is on. Before powering on, make sure the wiring is correct.
3. Avoid privately changing or damaging the circuit or other component on the luminary.
4. Avoid scrape, twist and irregular bend during installation, which might cause non repairable status for the luminary.
5. Minimum bending diameter definition is 200mm[7.87in.], too small bending diameter will break the luminary.
6. Minimum twist degree is 360° per 1000mm[39.4in.].
7. Luminary linked in over long length will lead to problem of overload or uneven brightness.
8. To protect your eyes, do not stare at the luminary for a long time while it's illuminated.
9. Only professional personnel can install, dismantle and repair.
10. Bend and twist diagram is shown as below.

